



CAST IRON RADIATORS



TIMELESS CHARACTER

Cast iron radiators have a great appeal to many people – the rough, rustic, almost unfinished surface provides great character for the home that requires special effects.

Cast iron radiators can combine the elegance of a bygone era with the performance of high efficiency heating – due to the inherent ability of cast iron to spread and retain heat for much longer periods than steel.

Every cast iron radiator has an unconditional 10 year guarantee against external corrosion, design and manufacturing defects.

finishes

Radiators are supplied undercoated white and are treated to resist atmospheric agents. This makes an ideal primer for the finishing coat of enamel in your colour choice.

measurements

Available as 2, 4, 6 columns in various heights.



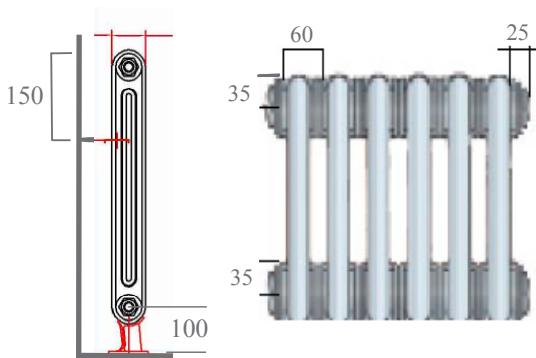
BIASI CAST IRON RADIATOR OUTPUTS AND DIMENSIONS

TABLES BASED ON $\Delta T 50$ - MEAN WATER TEMPERATURE IN RADIATOR OF 70°C AND ROOM TEMPERATURE OF 20°C . $\Delta T 60$
 - MEAN WATER TEMPERATURE IN RADIATOR OF 80°C AND ROOM TEMPERATURE OF 20°C

Model	Output Kw $\Delta t 50$ $\Delta t 60$	# Columns	Height	Depth	Water Content	Weight Kg Per Section	Max # Sections	Section Widths	Surface Area M2
LBT 880/2	0.078 0.100	2	880	70	0.52	5.07	30	60	0.23
LBT 580/4	0.094 0.120	4	580	146	0.71	6.27	20	60	0.27
LBT 680/4	0.108 0.137	4	680	146	0.83	7.17	20	60	0.32
LBT 880/4	0.135 0.173	4	880	146	0.99	9.27	20	60	0.41
LBT 430/6	0.105 0.135	6	430	225	0.81	7.47	15	60	0.30
LBT 580/6	0.123 0.158	6	580	225	0.99	9.77	15	60	0.41
LBT 680/6	0.135 0.174	6	680	225	1.16	11.07	15	60	0.47
LBT 880/6	0.156 0.201	6	880	225	1.43	13.67	15	60	0.61
LBT 300/9	0.111 0.142	9	300	340	0.95	8.07	10	60	0.31



Note: radiators to be ordered with either single or double feet as appropriate and wall brackets
 Each section width 60mm



NOTES:

Total length of radiator equals number of sections x 60mm.

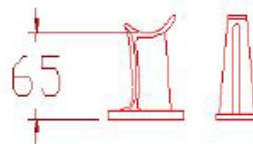
Central distance of pipework equals total length including plugs plus 90mm for the radiator valves (depending on valves used).

Position wall brackets 150mm down from top of radiator as shown.

Care should be taken when specifying the larger sections, as the total weight may exceed practical limits.

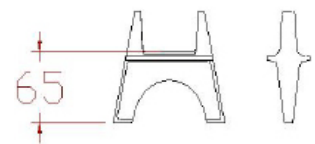
Number of feet & Bracket + locations		
# sections	# feet & brackets	feet type
4	2	A
5-9	2	B
10-14	2	B
15-19	3	B
20-24	3	B
25-30	3	B

Type A

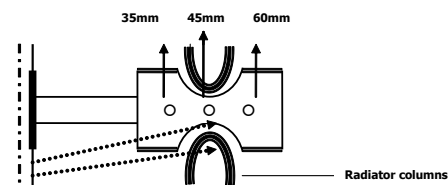


PART # LBT Foot

Type B



PART # Radiator Feet



Adjustable wall brackets

PART # Wall Bracket

Adjustable to 3 positions - measurements above are from wall to centre of first column of radiator which corresponds to centre of bracket curves (comes with screw to adjust to three hole positions)



showroom 11 Fiveways Boulevard Keysborough VIC 3173

phone 1300 00 1800 fax (+613) 9798 5133

email enquiries@huntheat.com.au website www.huntheat.com.au