

HIGH QUALITY, RELIABLE, VERSATILE MOTORISATION FOR METAL GRILLES, COMMERCIAL SHUTTERS & SECTIONAL DOORS



SIMUBOX

SINGLE PHASE & THREE PHASE SIDE MOTORS



COMPACT, QUIET, ROBUST, RELIABLE AND EASILY INTEGRATED

Ideal for the motorisation of metal grilles, commercial shutters and sectional doors, this compact and quiet range of side motors meets the strictest requirements of European and Australian standards. Robust and reliable the SIMUBOX range of side motors has been designed to be of the highest quality. Designed for quick and easy installation, the SIMUBOX range can also be easily upgraded to manual-override operation in the event of a mains power failure, ensuring your door is always operational, especially in an emergency.

TWO POWERFUL LIFTING CAPACITIES

Available in single phase and three phase, the high performance SIMUBOX range of side motors is available in a 180Nm 240V single phase version and in a 220Nm three phase version.

STURDY, QUALITY CONSTRUCTION

SIMU side motors are made in France and are reputed for high quality and reliability.

Other features include:

- Heavy duty, easy to set and accurate manual end-limit system
- Thermal cut-out protection system for single phase version
- Easily upgradeable to manual override.

UPGRADE WITH REMOTE CONTROL

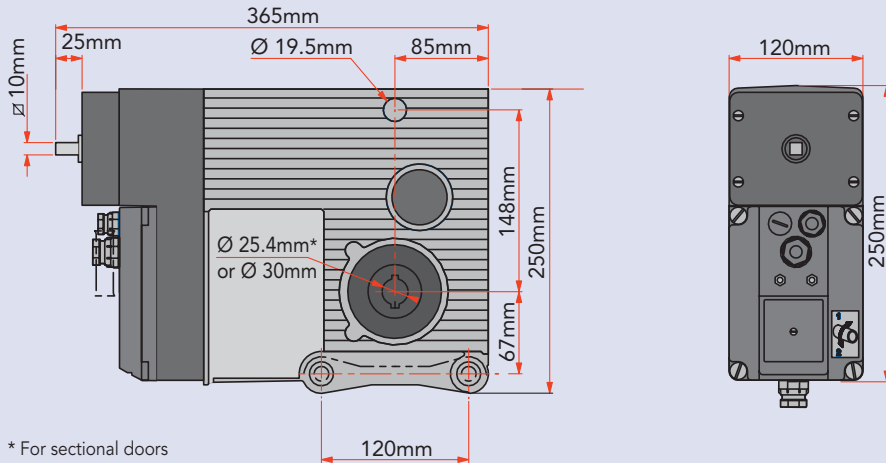
The SIMUBOX can be equipped with SIMU Hz Radio Remote Control Technology (using the SIMU 410 control box and SIMU SA Hz standard receiver) and making it compatible with the SIMU TSA Hz remote control range and SIMU safety devices.



CW PRODUCTS
HOME AUTOMATION & ROLLER SHUTTERS



MOTOR DIMENSIONS



* For sectional doors

MODEL NUMBERS & TECHNICAL SPECIFICATIONS

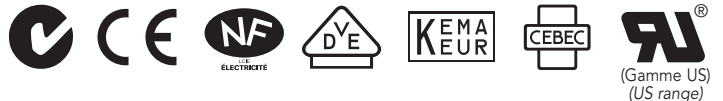
Product Code	Model Number	Torque (Nm)	Speed (rpm)	Voltage (V)	Power (W)	Current (A)	Working Time	Weight (kg)
30-999-401	SIMUBOX 180	180	12	240V - 50Hz	960	4.40	5 minutes	17
30-999-400	SIMUBOX 220	220	12	240/400V - 50Hz	840	2.60 1.50	40%	17

GENERAL SIMUBOX TECHNICAL SPECIFICATIONS

Power supply	240 Volts - 50 Hz to 400 Volts - 50 Hz according to motor
Integrated thermal switch	Included
Integrated electromagnetic brake	Included
Progressive end-limit switch capacity	25 turns
Protection index	IP 44
Ambient temperature of use	from +5°C to +40°C
Hollow shaft diameter	30mm for grilles and shutters 25.4mm for sectional doors
Progressive limit switch with 5 contacts	2 working end-limit switches 1 safety end-limit switch (both rotational ways) 2 auxiliary end-limit switches

Installation Note: Three phase motors must be wired into suitable control boxes. For more information please contact CW Products. Motors must be wired by a certified electrician.

INTERNATIONAL STANDARDS



SIMUBOX motors are equipped with a manual override system (by standard crank handle or optional chain) in order to ensure the manual operation of the shutter in case of mains power failure.



Short crank handle is delivered with motor.



31-999-368

A 10 metre chain can also be used and is optional.



31-999-304

An eyelet is available for use with long crank handles.

General Note: All photos for illustrative purposes only. Technical specifications are correct at time of printing and may change without notice.

Exclusively distributed in Australia by **CW Products**
126-138 Port Road Alberton South Australia 5014
Ph: (08) 8341 0120 Fax: (08) 8341 1750
Email: info@cwproducts.com.au Web: www.cwproducts.com.au

