



## YL Workstations

Your Location - is the freshest modular table offering on the market, with a simple leg profile which attaches to a range of standard beam castings. YL is a quick and simple table system which can be assembled in as little as 5 minutes. Incorporating an expandable casting joint method, enables the system to be quickly assembled and disassembled with little fuss saving you on installation costs and reconfiguration costs.



Design  
Manufacture  
Create

The tapered and rounded leg profile can be adjusted from as little as 670mm to as high as 765mm (including worktop), the perfect height range for clients requiring adjustability for disabled users or taller users who require that little bit extra height. Looking for the perfect offering for your space? find Your Location here.

**Frame finishes**

- Satin black
- Polished aluminium feet

**Optional**

- Satin White
- Interpon colour range
- Dulux colour range
- Custom - POA

**Warranty**

- 5 years (Indoor application only)

**Configurations**

**YL - S2S**

- YL 1PS2S frame
- Single tier mesh cable tray



**L Shape**

- YL 1P L- shaped frame
- Frosted acrylic modesty panel



**Family S2S**

- YL 4PS2S frame



**2B B2B**

- Acrylic dividing screen
- Accessory rail
- YL 2PB2B frame



**Family B2B**

- Acrylic dividing screen
- Acrylic interpersonal screen
- Dual flip lid accessory rail
- Cable trough
- YL 6PB2B frame



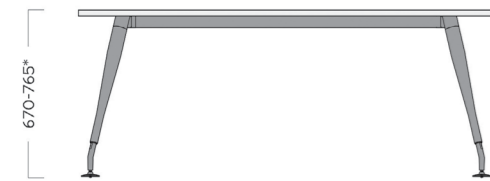
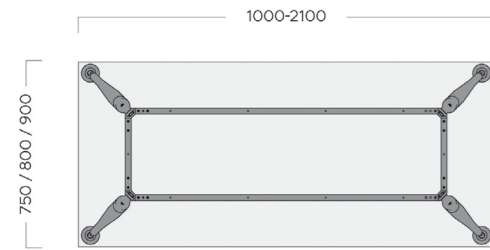
**L Shape Customs**

- Custom YL 4P booth
- Lead Screen with echo panel inserts

## YL - S2S

### Configurations

1P - 2P - 3P - 4P



\*Based on standard 25mm worktop 720mmH shown

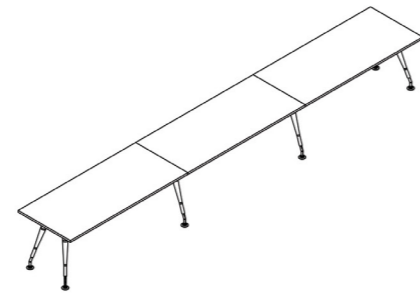


### Lengths Available - AA

1000 - 10  
1200 - 12  
1500 - 15  
1600 - 16  
1800 - 18  
2000 - 20  
2100 - 21  
Custom POA



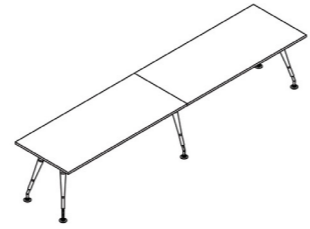
Base Frame  
YLF AA BBB



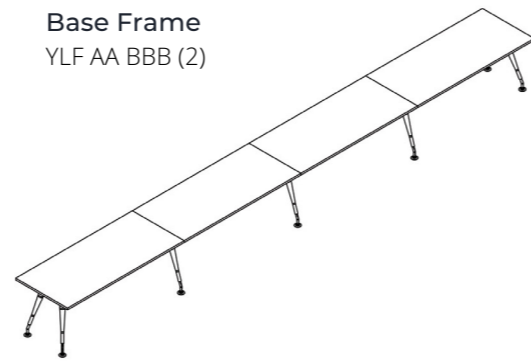
Base Frame  
YLF AA BBB (3)

### Widths Available - BBB

750 - 75  
800 - 8  
900 - 9\*



Base Frame  
YLF AA BBB (2)

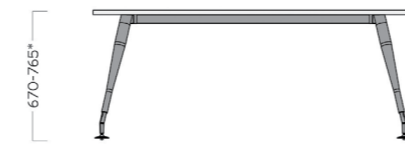
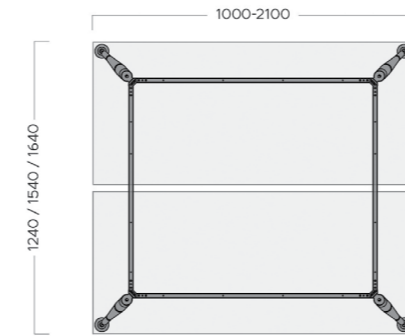


Base Frame  
YLF AA BBB (4)

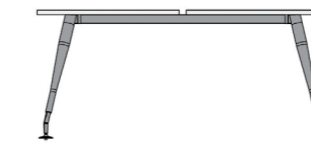
## YL - B2B

### Configurations

2P - 4P - 6P - 8P

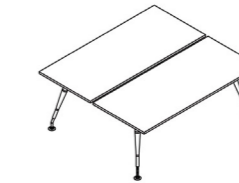


\*Based on standard 25mm worktop 720mmH shown

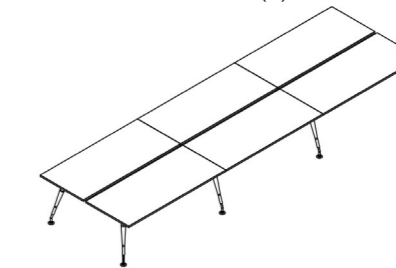


### Lengths Available - AA

1000 - 10  
1200 - 12  
1500 - 15  
1600 - 16  
1800 - 18  
2000 - 20  
2100 - 21  
Custom POA



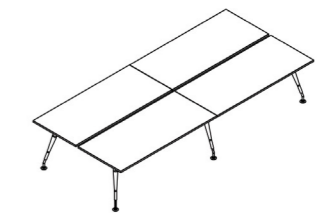
Base Frame  
YLF AA BBB (2)



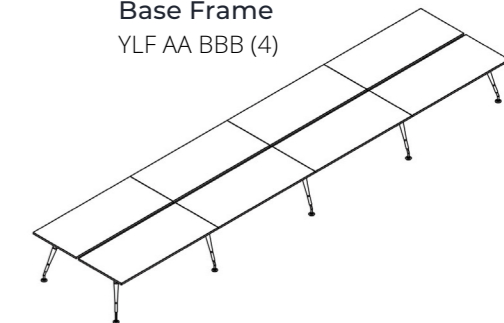
Base Frame  
YLF AA BBB (6)

### Widths Available - BBB

1240 - 124  
1540 - 154  
1640 - 164



Base Frame  
YLF AA BBB (4)

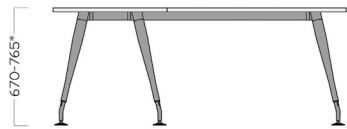
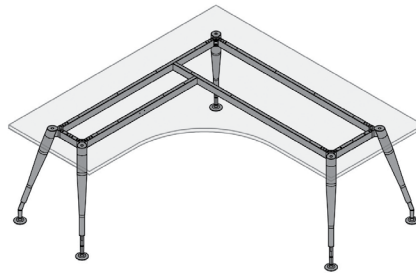
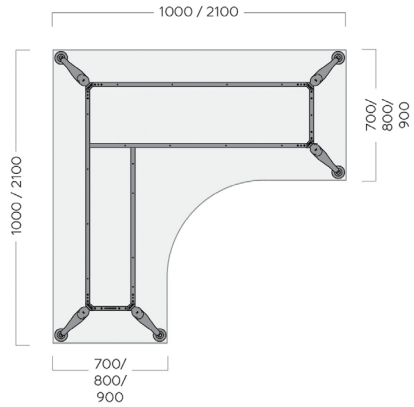


Base Frame  
YLF AA BBB (8)

# YL - L Shape

## Configurations

1P - 2P - 3P - 4P



\*Based on standard 25mm worktop 720mmH shown

## Lengths Available - AA

- 1000 - 10
- 1200 - 12
- 1500 - 15
- 1600 - 16
- 1800 - 18
- 2000 - 20
- 2100 - 21
- Custom POA

## Widths Available - BBB

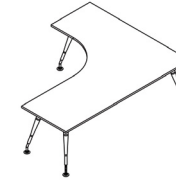
- 750 - 75
- 800 - 8
- 900 - 9\*

## Returns Available

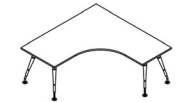
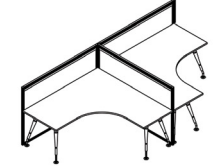
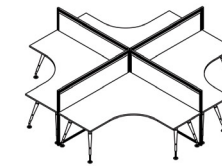
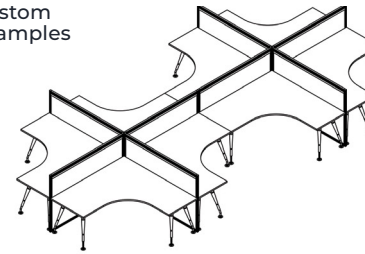
- 1200 - 2100 x 700
- Custom POA

## Base Frame

IKF AA BBB186



## Custom Examples

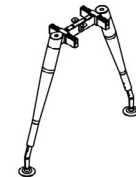


## YL - Leg Profiles

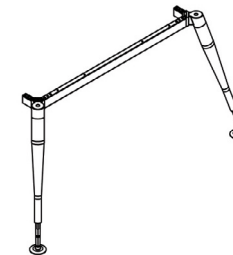
YL - S2S  
END FRAME



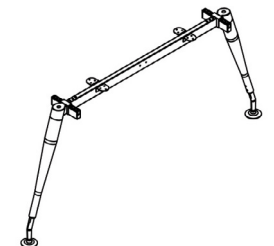
YL - S2S  
MID FRAME



YL - B2B  
END FRAME



YL - B2B  
MID FRAME



## Get In Touch

### Sydney Office:

U5 / 19 Unwins Bridge Road,  
St Peters NSW 2044  
Phone : 02 9517 4093

### Melbourne Office:

101 Moray Street,  
South Melbourne VIC 3205  
Phone : 0429 654 292

Website : [www.mn8design.com](http://www.mn8design.com)

Email : [sales@mn8design.com](mailto:sales@mn8design.com)