



## Hedgeline

Offering unmatched customisation and modularity, seamlessly transforming into an array of furniture pieces to create a fully tailored aesthetic.



Design  
Manufacture  
Create

## Hedgeline

Hedgeline has been designed to be fully modular and systemised to create screens, pods, desking and joinery in a large variety of spaces.

With agile spaces and limited real estate, creating an easy room within a room was the design intent of this line.

This only illustrates just some examples but can easily be customised to suit a project.

Hedgeline's key design lies in separate corner and flat panel modules to create a variety of configurations.

This allows it to be flat packed and assembled on site.

Hedgeline comes in a variety of finishes that include laminate/melamine, veneer, cork, upholstery, and powdercoated aluminium.



## Design Limits

Hedgeline is highly versatile with only two easy design limitations to consider which are:

- 90 degree corners
- 300mm minimum per side

## Finish Options

### Panel Finishes

#### Both Panel Faces

- Fabric
- Vinyl
- Cork
- Veneer
- Laminate

#### Combinations of different panel faces

- Fabric or Vinyl and Laminate or Veneer or Cork

#### Two-tone on the same panel face

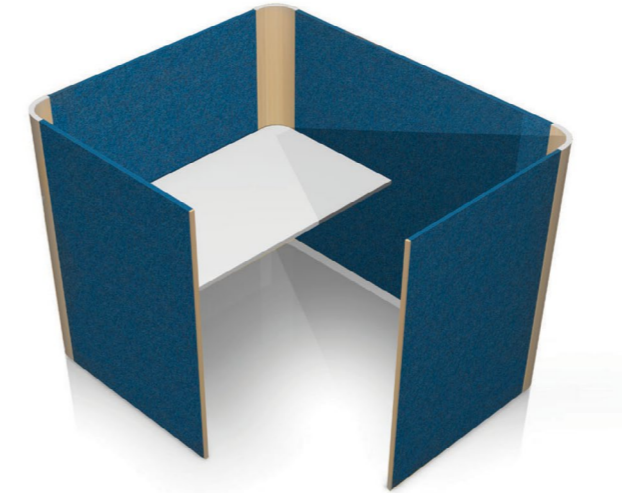
- Laminate and veneer

### Corner Finishes

- Veneer
- Vinyl
- Cork

## Desk Wrap

Hedgeline as a desk mounted or floor standing screening.



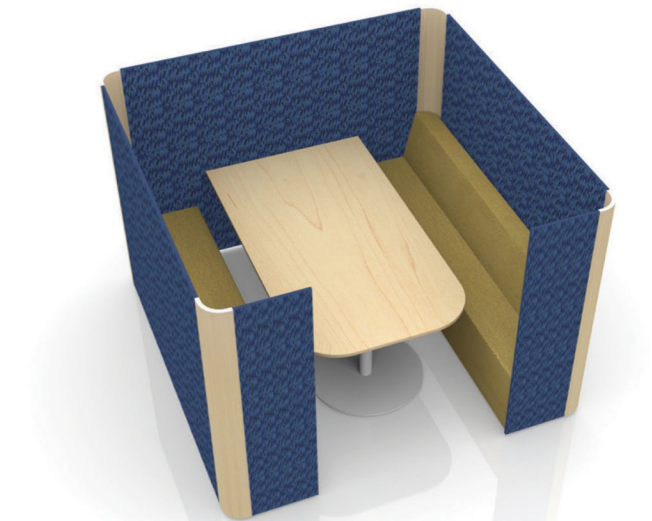
## Work Pod

A simple private workpod with laminate finish to highlight corners and edges.



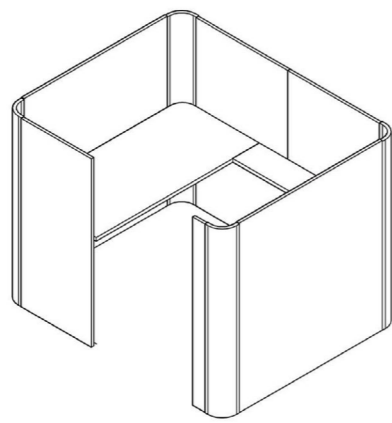
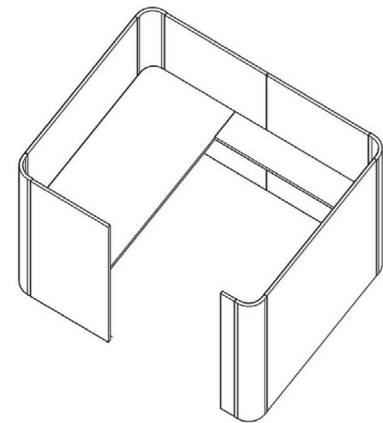
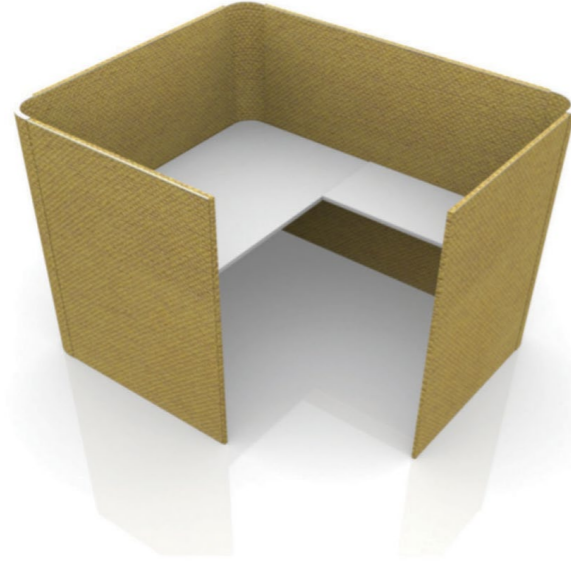
## Seating Meeting Wrap

Configured into a private booth space complete with seating and table.



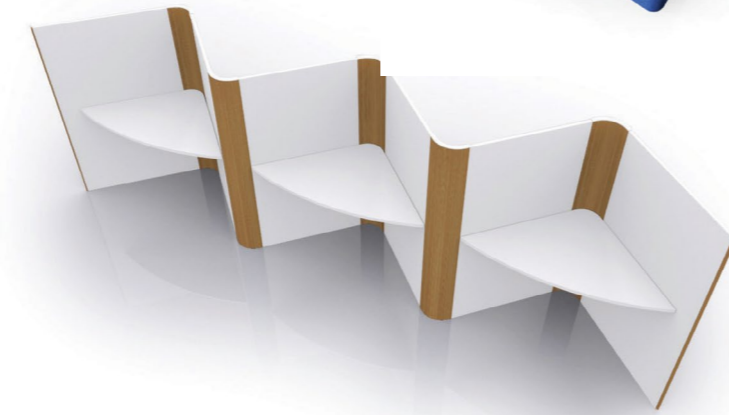
## Work Pod

Complete private workstation with side desking for small peripherals and personal effects



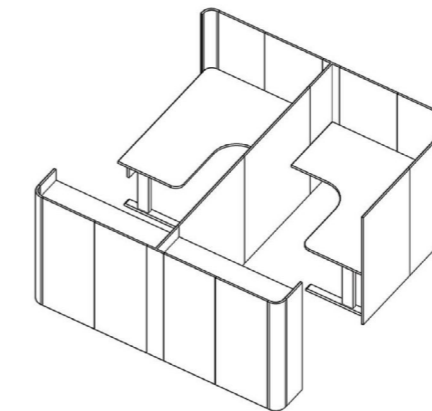
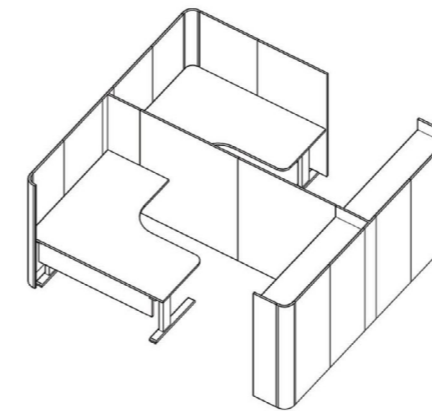
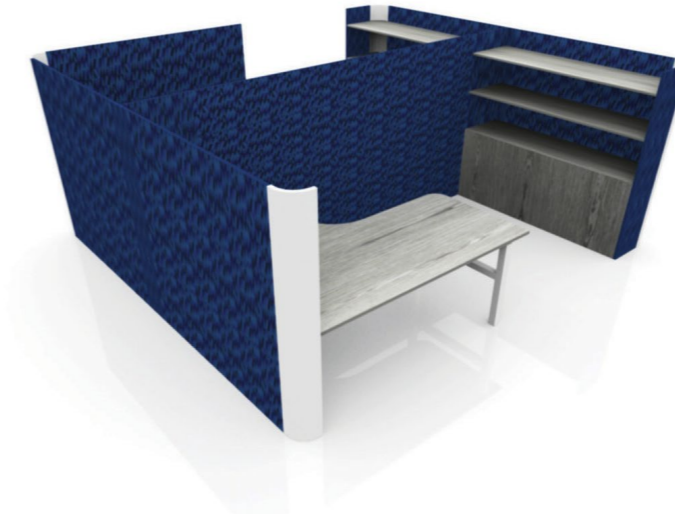
## Desking Pod

Dual sided desking pods offer an easy, private work retreat. These illustrate the various corner finishes available.



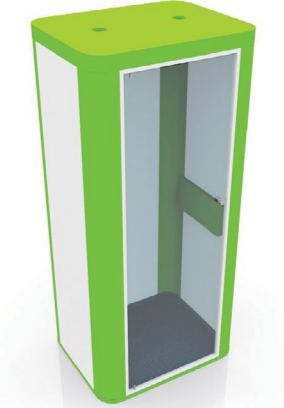
## Multi-Office Pods

Separated workstations with own shelving and cabinet, achieving a room-within-a-room within in large spaces.



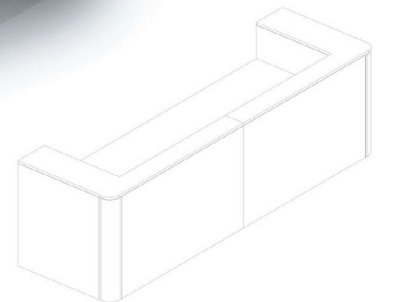
## Seclusion / Phone Booth

A top and floor added to the Hedgeline allows for an easy phone booth. PET panel interior walls, carpeted floor and a glass door help minimise noise, and this booth includes a pull-down counter.



## Reception Desk

This counter seamlessly includes drawers and cabinet on the ends.



## Work Pod

This desking, planter and screen combination is made Hedgeline in its various formats for a completed look.



## Multi-Use Table System

Hedgeline can be a table system with the ability to have matching or contrasting corners and straight panels, and hold power and data in its base.



## Get In Touch

### Sydney Office:

6 -10 Phillips Road,  
Kogarah NSW 2217  
Phone : 02 9517 4093

### Melbourne Office:

101 Moray Street,  
South Melbourne VIC 3205  
Phone : 0429 654 292

Website : [www.mn8design.com](http://www.mn8design.com)

Email : [sales@mn8design.com](mailto:sales@mn8design.com)