

## Rising Monitor Arm

Designed with sophistication and elegance from the inside out, Rising redefines the monitor arm as a piece of functional beauty.



Design  
Manufacture  
Create

**Choose between Standard, In-Trend and Premium finishes – all carefully curated to enhance your space.**

While many regard monitor arms as purely functional necessities, we recognise that the monitor arm is one of the most viewed objects of the entire office, due to its placement towards the rear of the desk.



**Standard Finishes**



2-Tone Black



2-Tone Platinum



Designer White / Silver

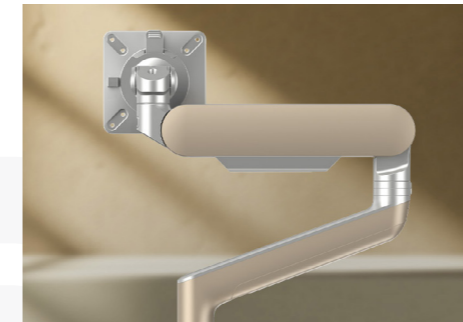
**In-Trend Finishes**



Azure



Slate



Stardust

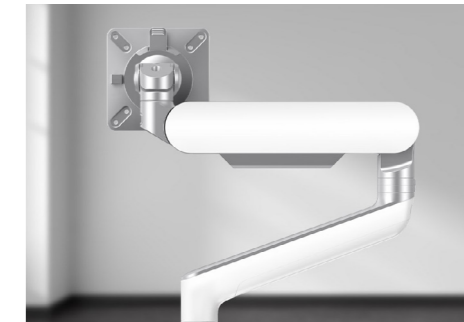


Sage

**Premium Finishes**



Black / Bronze



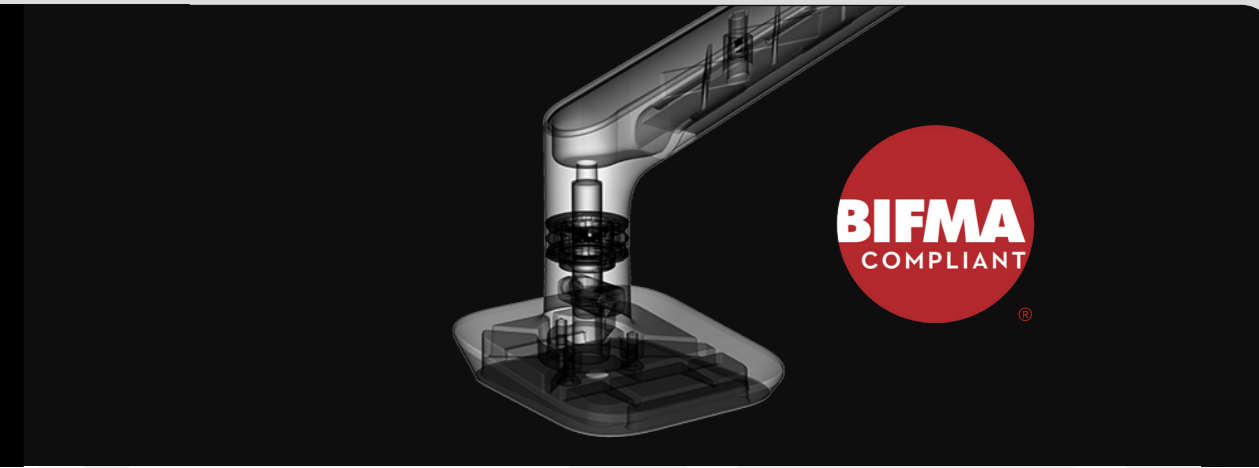
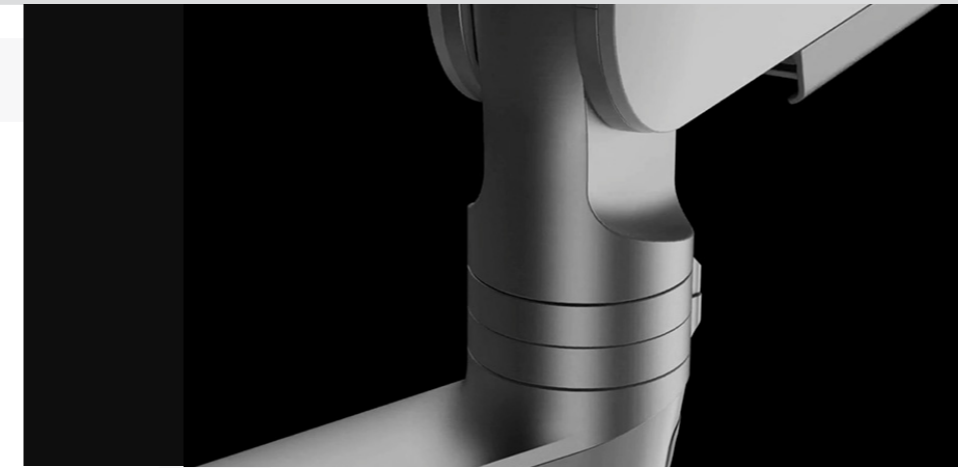
Polished Aluminium / Designer White

## No Hassle Assembly with Configuration Options.

Rising is a design-forward, ergonomic monitor arm that easily adjusts to you, bringing flexibility and sophistication to your workspace.

## Introducing SnapKinect™

Traditional monitor arms require specialised tools and lengthy instructions for proper installation. With Rising, the SnapKinect connection system allows the arm to be assembled and installed in 3 easy steps – so you can get to work faster than ever.



## Ultimate Flexibility

Rising is thoughtfully engineered with RotationStop™ a revolutionary new feature that enables you to adjust your monitor swing between 14 distinct stop points. Designed to protect people and equipment, RotationStop can help you keep your monitor swing under control and within a pre-determined swing range.

## Maximum Adjustability

Even the simplest accommodations can make a significant impact on your workflow and comfort. Rising's intuitive finger-touch adjustability allows you to easily reorient your monitor if you prefer to stand up, sit comfortably, share work with a colleague, make space on your desk, or focus closely. And each position is prompted by the touch of your finger - no time-consuming disassembly required.

## Built to Last

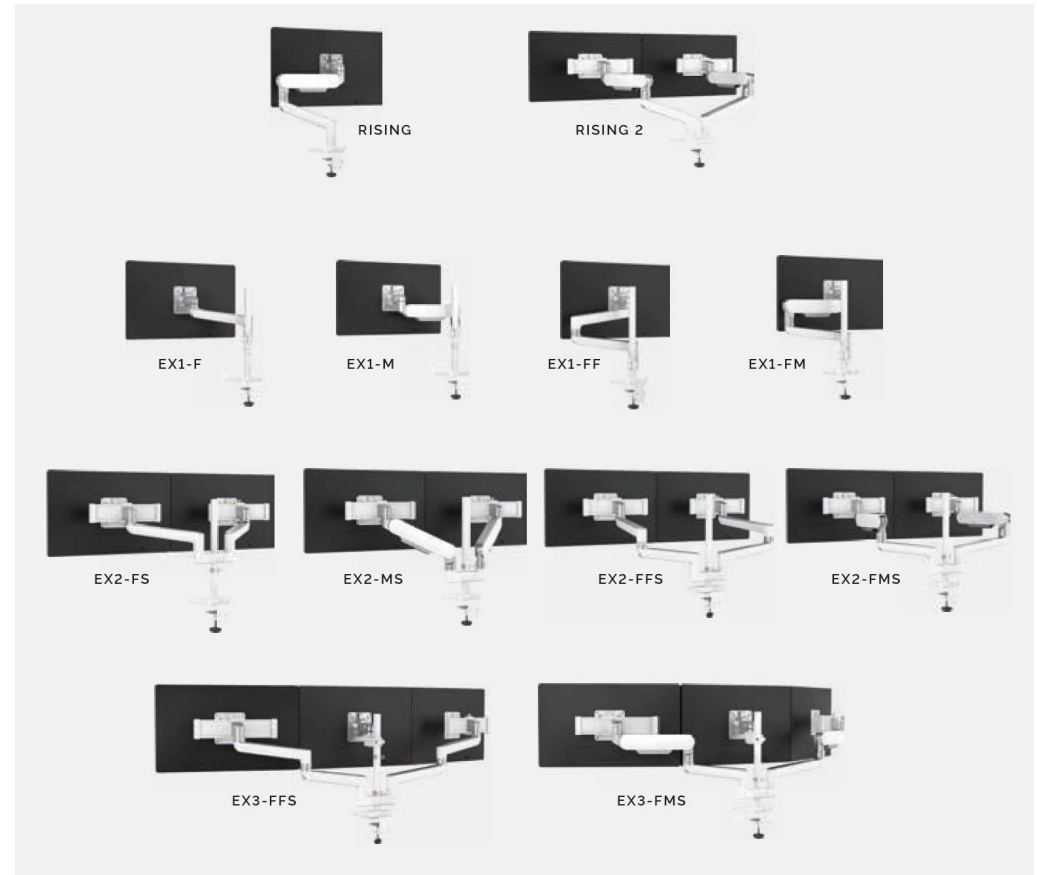
Rising's monitor arms' high quality materials and flawless engineering lead to increased reliability and lifespan. Rising was designed to industry-leading quality standards and built with cast aluminium parts for years of dependable use, and is backed with 15 Years limited warranty.

## FIRA Compliance

FIRA International are an independent Ergonomic Standards Accreditor. This logo signifies that the relevant product complies with EU Health and Safety Legislation: BS EN ISO 9241 Ergonomic requirements for office work with visual display terminals (VDT's): Part 5: 1999, workstation layout and postural requirements. All monitor arms are FIRA accredited.

## Rising Monitor Arm Configurations

Rising provides ease of configurability and add-ons, providing even more function and flexibility to your workspace. With 12 total configurations to choose from, Rising facilitates maximum adjustability with one, two or three computer screens along with various ranges of height and length to fit your unique needs. With its 12 configuration options, it reveals more paths to productivity.



### Get In Touch

#### Sydney Office:

6 - 10 Phillips Road,  
Kogarah NSW 2217  
Phone : 02 9517 4093

#### Melbourne Office:

101 Moray Street,  
South Melbourne VIC 3205  
Phone : 0429 654 292

Website : [www.mn8design.com](http://www.mn8design.com)

Email : [sales@mn8design.com](mailto:sales@mn8design.com)