



Eppa Monitor Arm

Beneath the Eppa's minimal design is a reliable and smooth gas spring adjustment control. This allows the user to effortlessly adjust the height and position of their monitors. The Eppa series of monitor arms offer a comfortable viewing distance no matter the size of the workstation.



Design
Manufacture
Create

Eppa Single and Dual Monitor Arms

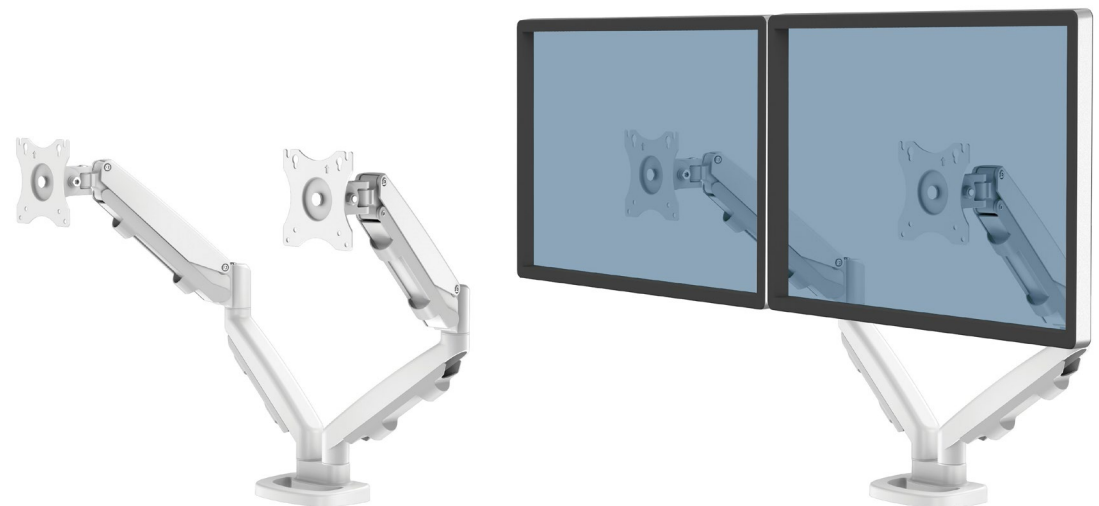
Features

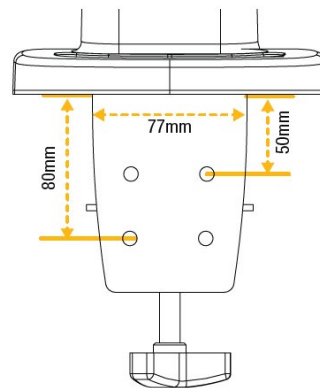
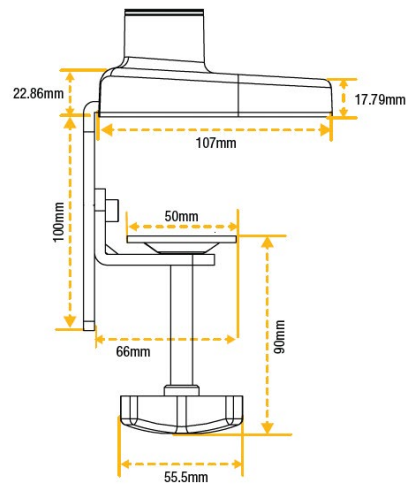
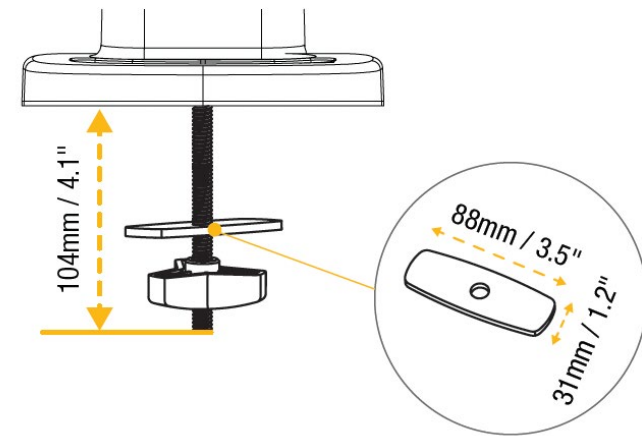
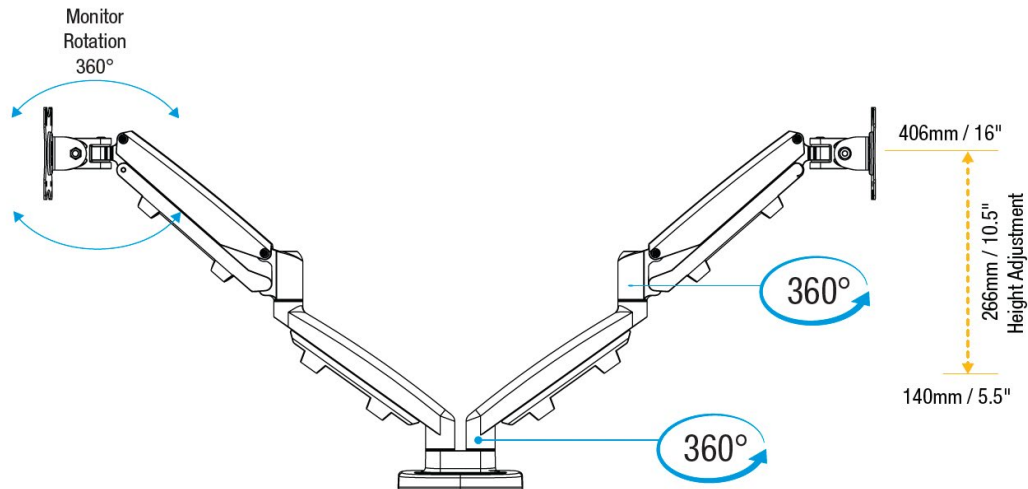
- Finger touch dynamic height adjustment
- 10.5" height adjustment range - 5.5"-16.0" (low/high)
- 1.2" arm extension
- 4.0" arm retraction
- 2.2 lbs.-17.6 lbs. weight capacity
- Dual arm has a 39.0" max. monitor width (bezel measured left to right)
- VESA quick mount
- Desk clamp and grommet mount included
- Fixed and motion arms included
- Capable to swivel between portrait and landscape orientation
- Exceeds BIFMA x5.5 requirements
- Gas spring - finger touch adjustment
- Available conversion kit adjusts a single arm Eppa to a dual arm
- Crossbar handle provides an easy grip for moving monitors
- 12.9" height adjustment range
- 10.4"-23.4" (low/high)
- 20.7" arm extension
- 4.1" arm retraction
- Total weight capacity: 35.2 lbs.
- 30.0" max. monitor width (bezel measured left to right)
- Max. width is contingent on weight capacity.
- Recommended for worksurfaces 24.0" - 36.0" deep or less
- 180° lock-out feature
- 32.72" total width of crossbar
- Desk clamp and grommet mount included
- Capable to swivel between portrait and landscape orientation
- Meets or exceeds BIFMA x5.5 guidelines
- Gas Spring mechanism for smooth and effortless adjustments

Colours



Certifications





39" / 99.06cm



1-8kg / 2.2-17.6lbs



VESA:
75 x 75 / 100 x 100



5 Years
Limited Warranty

Get In Touch

Sydney Office:

6 - 10 Phillips Road,
Kogarah NSW 2217
Phone : 02 9517 4093

Melbourne Office:

101 Moray Street,
South Melbourne VIC 3205
Phone : 0429 654 292

Website : www.mn8design.com

Email : sales@mn8design.com