



Activate Monitor Arm



Design
Manufacture
Create

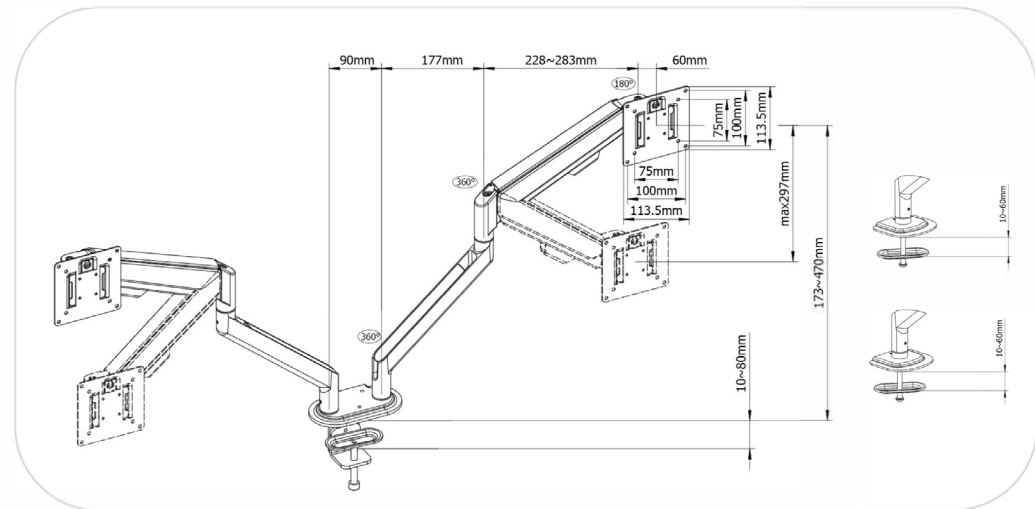
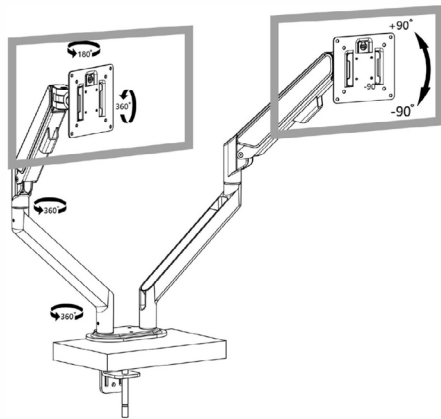
Features

- Gas Spring on touch height adjustability
- Quick release VESA Plate
- Monitor Weight load 2 kg to 8 kg per arm
- Integrated cable management
- Desk clamp & bolt thru grommet included



Technical Specifications

- Gas Lift Height Adjustment: 297 mm
- Maximum Arm Reach: 520 mm
- Monitor Weight load: 2kg to 8kg per arm
- VESA Release: Quick release
- VESA Horizontal Turn: 180 deg
- VESA Tilt: +/- 90 deg
- VESA Head Rotation: 360 deg (landscape/portrait)
- VESA Mount Holes: 100x100mm & 75x75mm
- Included Desk Clamp: Yes (10mm to 80mm top thickness)
- Included Bolt thru Grammer*: Yes (10mm to 60 mm top thickness)
*1 x Dual Grommet or 2 x Single included
- Code/SKU: KA-200w (white) KA-200b (black)



Get In Touch

Sydney Office:

6 -10 Phillips Road,
Kogarah NSW 2217
Phone : 02 9517 4093

Melbourne Office:

101 Moray Street,
South Melbourne VIC 3205
Phone : 0429 654 292

Website : www.mn8design.com

Email : sales@mn8design.com