



## Column h/a Executive Desk

COLUMN h/a workstation has been redesigned to suit a personal office setting, where L shape workbench is created by retaining an adjustable surface where it's needed the most and the return is made up of storage cabinets and services reticulation.



Design  
Manufacture  
Create



## Specifications

### Composition

Mild steel to all structural parts.

### Base Finish

White or black satin powder coat as standard with custom colours available.

### Credenza

Laminex, Polytec melamine core commercial range or to client specification.

### Motor

Dual, smooth, low noise operation.

### Control Pad

USB charging module, digital display with 4 memory functions and timer option.

### Safety Considerations

Up and down anti-collision settings to 8 sensitivity levels.  
Low-and high-level limit pre-set or locked height option. Overheating protection.

### Storage

Laminex or Polytec 18 mm melamine construction, soft close doors and drawers with finger pull detail and inclusion of services reticulation.

### Dimensions

Height range: 665 -1315mm with 25mm thick top.  
Configuration: L shape executive-style desk.  
Top Width: 1400-2100mm with 1800 -2400mm long return credenza at 534mmH

### Cable Management

TRAX\_lite Finish: White, black or paperbark powder coat with custom colour options available to steel components Charcoal, light grey or natural colour 3mm thick PET felt sling Excludes soft-wiring components.

### Screen or modesty panel

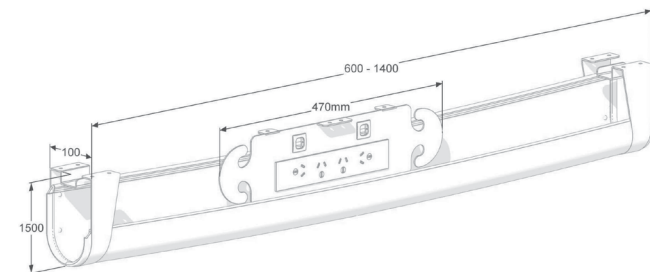
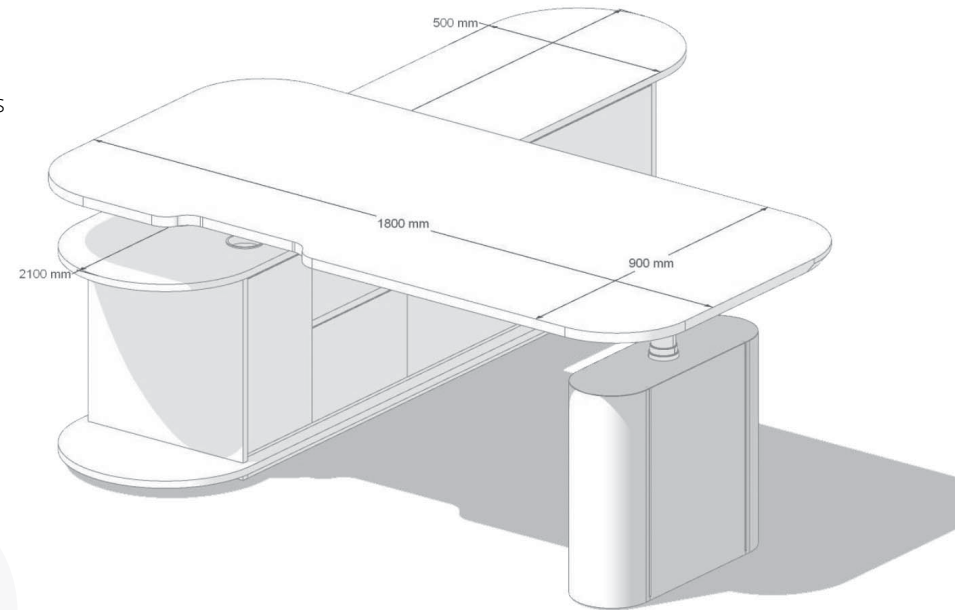
24mm or 12mm thick PET panel or PUFFY screen.

### Load Capacity

120 kg

### Speed

38mm/s



## Get In Touch

### Sydney Office:

6 - 10 Phillips Road,  
Kogarah NSW 2217

### Melbourne Office:

101 Moray Street,  
South Melbourne VIC 3205

Call 1300 362 628

Website : [www.mn8design.com](http://www.mn8design.com)

Email : [sales@mn8design.com](mailto:sales@mn8design.com)