

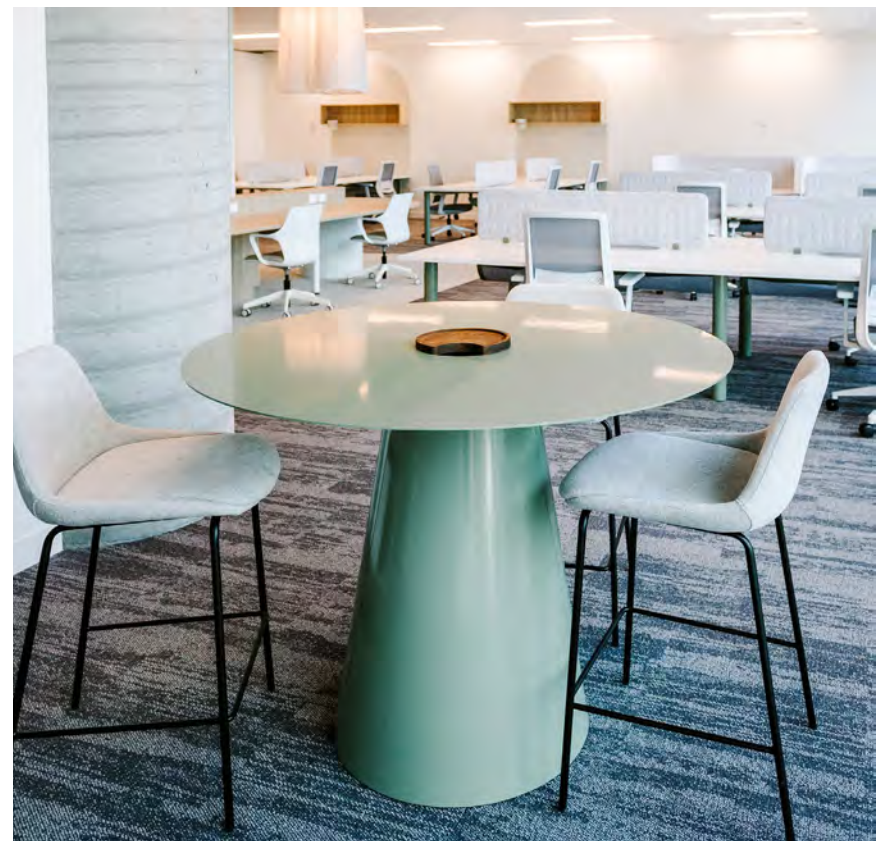


CONUS pedestal table

Have you ever found yourself looking for a meeting table with a pedestal-style base, that will easily allow for a central power box? We've been there too, and the task is next to impossible unless you go custom. Sweat no more!



Design
Manufacture
Create



Specifications

Composition

Rolled sheet steel conical base with 4mm thick steel or preferred melamine / veneer option top.

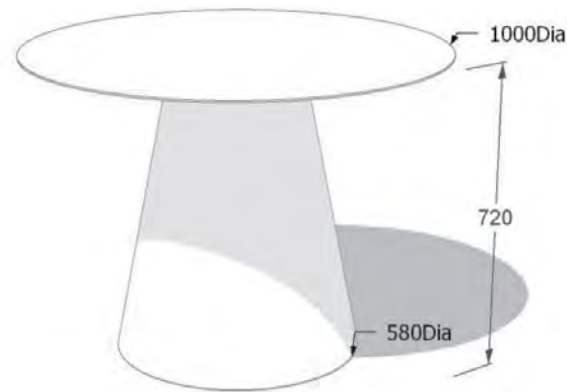
Finish

Dulux or Interpon standard powder coat colors to base, with top to match or other specified material.

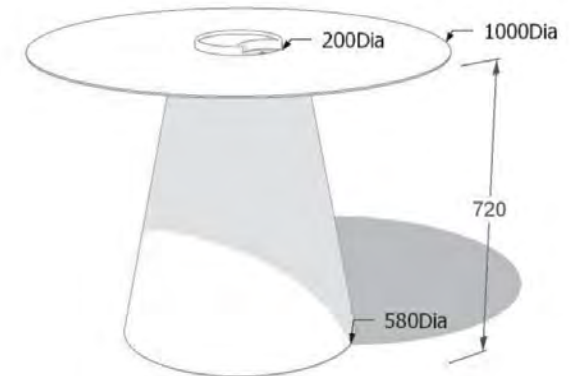
Size

Dulux or Interpon standard powder coat colors to base, with top to match or other specified material.

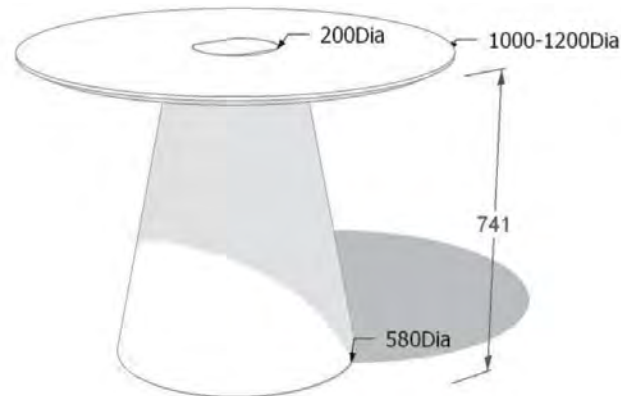
CONUS all steel



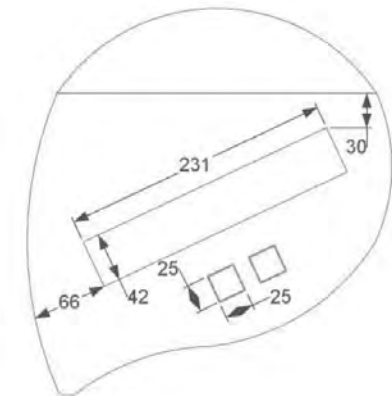
CONUS all steel with integrated softwiring and American Oak power box lid



CONUS with melamine top, integrated softwiring and melamine power box lid



Standard softwiring provision configuration:
4 GPO or 2 GPO + USB A/C, 2 DATA prov



Get In Touch

Sydney Office:

6 - 10 Phillips Road,
Kogarah NSW 2217

Melbourne Office:

101 Moray Street,
South Melbourne VIC 3205

Call 1300 362 628

Website : www.mn8design.com

Email : sales@mn8design.com