



FATI PLANTER

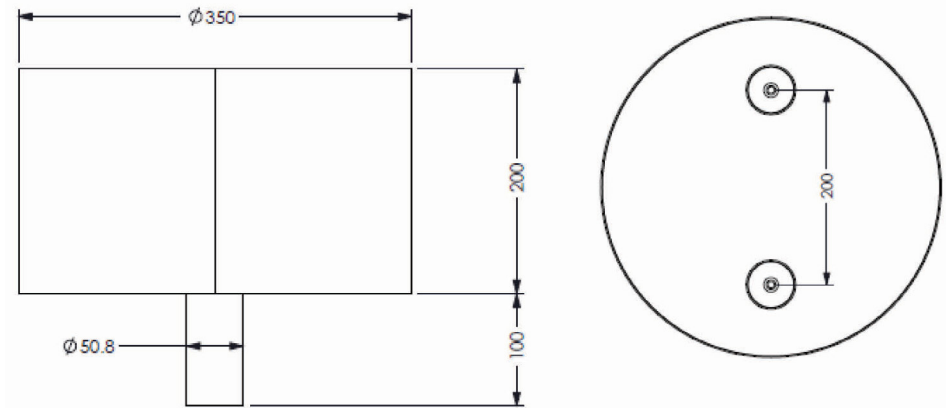


Specifications

CONSTRUCTION: A mild steel.

COLOURS: Available in Dulux or Interpon standard powder coat colors.

SIZE: Diameter: 350mm Height: 300mm



Get In Touch

Sydney Office:

6 - 10 Phillips Road,
Kogarah NSW 2217

Melbourne Office:

101 Moray Street,
South Melbourne VIC 3205

Call 1300 362 628

Website : www.mn8design.com

Email : sales@mn8design.com