



SPONSORED BY THE POWER OF REDARC



WINNER BEST VALUE FOR MONEY

MARLIN ULTIMATE REAR FOLD

FROM \$14,990



BEST CAMPER UNDER \$25,000



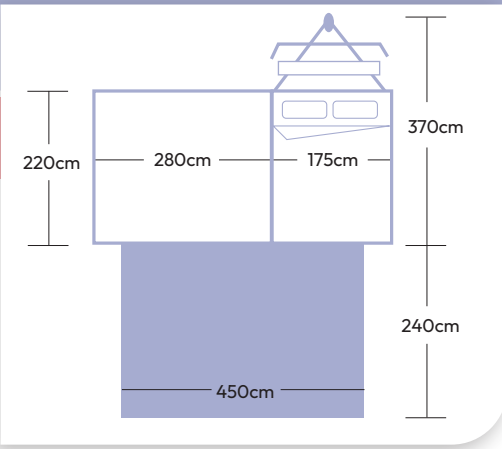
BEST VALUE FOR MONEY CAMPER



AUSSIE MADE SINCE 2006

# MARLIN EXPLORER

5+ Persons



## KEY FEATURES

- ★ Australian Owned - Australian Made
- ★ Towable by the Smallest of Cars  
500kg Tare • 50kg Ball Weight
- ★ 1 Person Set Up in just 2 Minutes
- ★ Insulated Roof: Cool in Summer • Warm in Winter

MARLINCAMPERS.COM.AU

- FINANCE AVAILABLE
- 6 MONTH LAY BY WITH 10% DEPOSIT

## INCLUSIONS

### TENT TOP ON YOUR TRAILER

Fits High Side 7 x 4 Trailer:  
**\$6499**



### UPGRADE YOUR TRAILER

#### LIGHT OFF ROAD

Suitable for dirt roads, national parks,  
light beach driving.

50 x 50 RHS chassis, 40mm Square Axle,  
Eye to Eye Off Road Suspension, Brand  
New 235/75/15 All Terrain Tyres,  
100 x 50 Drawbar, Sealed Tailgate,  
2nd Stabiliser Leg. Rear Recovery Mount.

#### EXTREME OFF ROAD

Upgrade to Rebound Eye to Eye Suspension,  
45mm Square Axle, Ark XO Off Road Hitch,  
Front Corner Bash Plates.



MARLIN021 · COPP THIS GRAPHICS · 0431 456 186

PRODUCT	PRICE \$	STANDARD \$14,990	DELUXE \$16,990	ULTIMATE \$21,990
<b>TRAILER</b>				
<input type="checkbox"/> Light Off Road Trailer Upgrade	2000			N/A
<input type="checkbox"/> Extreme Off Road Trailer Upgrade	2900			•
<input type="checkbox"/> Side Hinged Access	400	•	•	•
<input type="checkbox"/> Tool Box with Extended Drawbar	550	•	•	•
<input type="checkbox"/> Pole Carrier	200	•	•	•
<input type="checkbox"/> Vertical Bracket for Spare Wheel	100	•	•	•
<input type="checkbox"/> Bike Rack Receiver	195			
<input type="checkbox"/> Jerry Can/Gas Bottle Holders	95	1 of Each	1 of Each	2 of Each
<input type="checkbox"/> Brakes Mechanical/ Electrical	From 600 / 750			
<input type="checkbox"/> Tie Down Rails	150			•
<input type="checkbox"/> Boat Rack	650			
<input type="checkbox"/> Rear Recovery Point	100			•
<input type="checkbox"/> Off Road Hitch	450			•
<input type="checkbox"/> Stoneguard	695			•
<input type="checkbox"/> Galvanised Trailer	1590			
<input type="checkbox"/> Marine Carpet Lined Trailer Floor	200		•	•
<input type="checkbox"/> Spare Wheel Cover	150		•	•
<b>WATER</b>				
<input type="checkbox"/> 60 Litre Water Tank	650	•	•	•
<input type="checkbox"/> External Hand Pump	95			
<input type="checkbox"/> Hot Water System with Shower	599		•	•
<input type="checkbox"/> External Water Inlet	95			
<b>KITCHEN</b>				
<input type="checkbox"/> Tailgate Kitchen	INC	•		
<input type="checkbox"/> Deluxe Tailgate Kitchen	+450		•	•
<input type="checkbox"/> Slide Out Conversion	+600			
<input type="checkbox"/> Fridge Slide	+500			
<input type="checkbox"/> Pantry/Storage Drawer	750			
<input type="checkbox"/> 60 Litre Evakool Fridge/Freezer	1699			
<input type="checkbox"/> Hot Water to Kitchen	150			
<b>POWER</b>				
<input type="checkbox"/> 40 AH Rover Power Pack		•		
<input type="checkbox"/> 120 AH AGM Power Pack	+600		•	
<input type="checkbox"/> 105 AH Lithium Power Pack	+1200			
<input type="checkbox"/> Redarc GoBlock with 100AH Lithium	+2400			•
<input type="checkbox"/> Redarc Docking Station	695			
<input type="checkbox"/> Solar Panel	From 499			
<input type="checkbox"/> Internal/External Power Outlets	150 Each		2	2
<input type="checkbox"/> Car/Solar Charging	150 Each			
<input type="checkbox"/>	200		•	•
<b>ADDITIONAL ROOMS</b>				
<input type="checkbox"/> Explorer Front Room Kit	1500			
<input type="checkbox"/> Explorer Rear Room Kit	1500			

DISCLAIMER: Prices and availability are subject to change. Marlin Campers will inform you of any price fluctuation where possible.

**TOTAL** \$

Telephone: **0409 887 927**

info@marlincampers.com.au · Unit 1, 24 Pile St Somersby NSW 2250

**MARLINCAMPERS.COM.AU**