



David Wills and Associates
Consulting Engineers

WATER CORPORATION - PEEL MAIN DRAIN

ON BEHALF OF:

PEEL HARVEY CATCHMENT COUNCIL



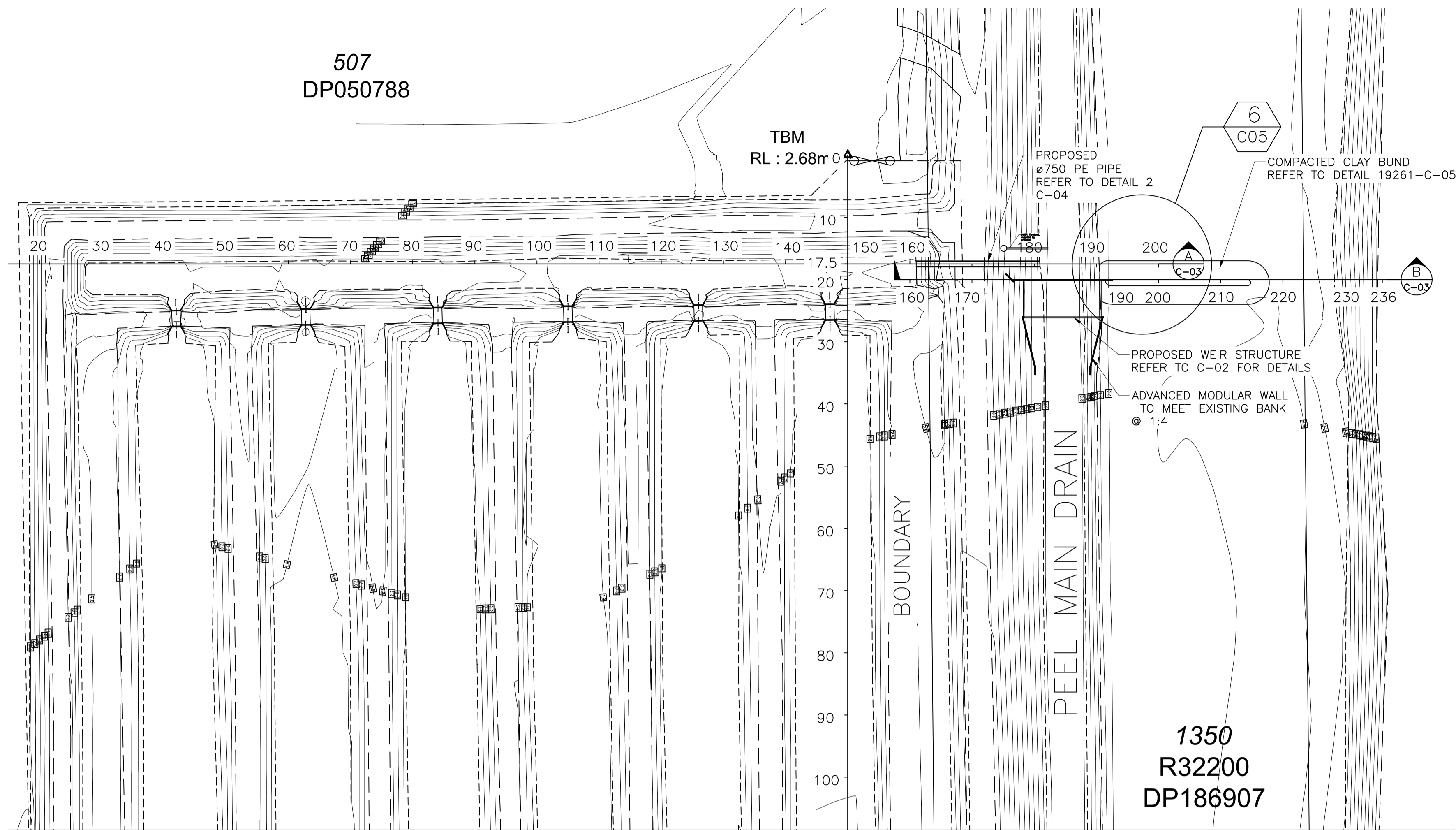
DWA DRAWING REGISTER

- 19261-C-00_COVER PAGE AND LOCALITY PLAN
- 19261-C-01_SITE PLAN
- 19261-C-02_PLAN AND SECTIONS
- 19261-C-03_LONG SECTIONS
- 19261-C-04_DETAILS
- 19261-C-05_DETAILS
- 19261-C-06_DIVERSION WEIR DETAILS
- 19261-C-07_PLATFORM DETAILS

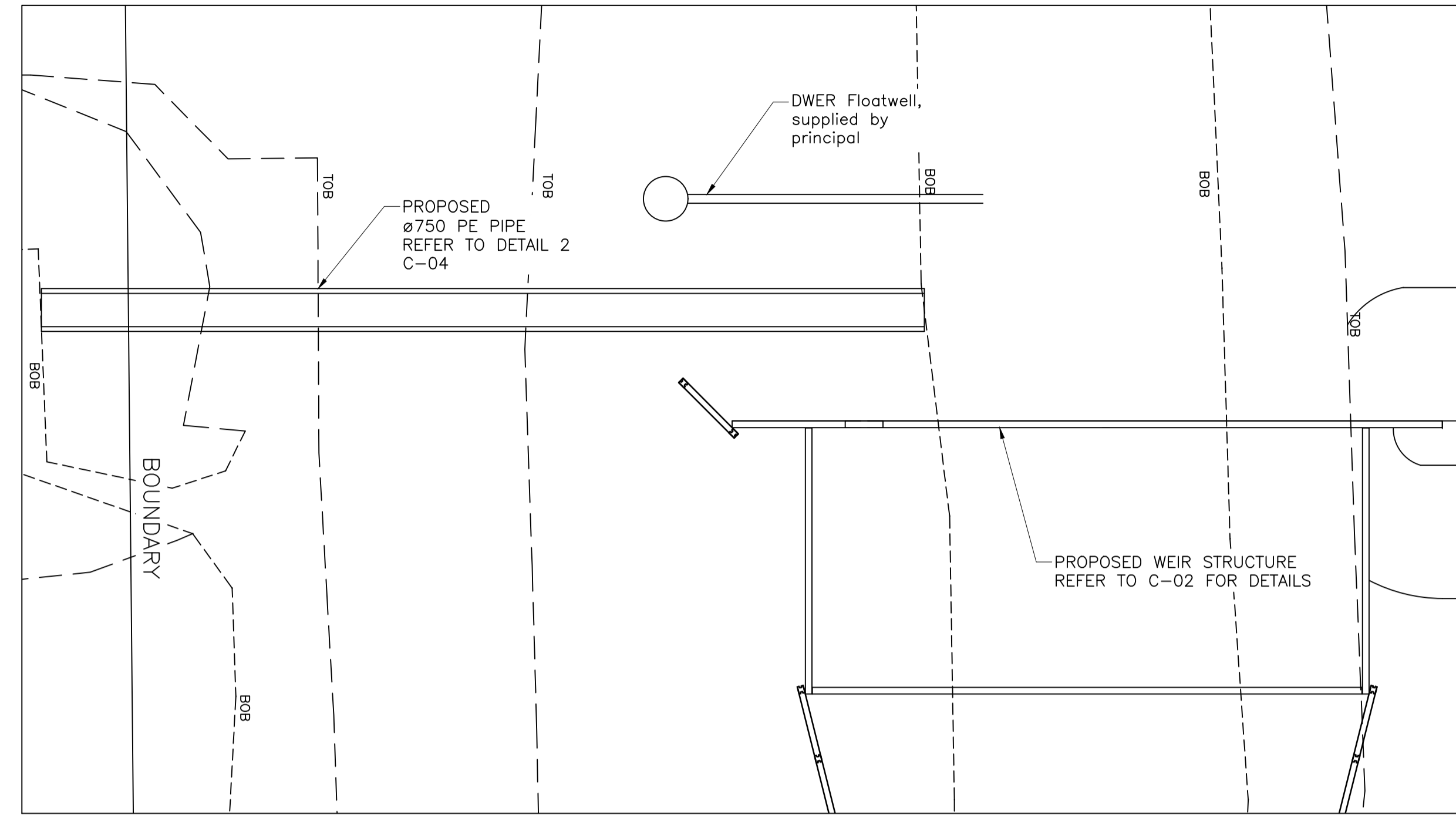
05/03/2020 DWA PROJECT NO. 19261-C000-00

A	04/03/20		ISSUED FOR INFORMATION		DW	DESIGN SURVEY	VERTICAL DATUM	DES CALC	NORTH POINT	<p>Office: Unit 1 / 9 Shields Crescent BOORAGOON WA 6154 Mail: PO Box 3084 MYAREE LPO WA 6154 Phone (08) 9424 0900 Fax (08) 9330 3133 E-mail dwa@dwaconsulting.com.au ABN 34 900 498 130</p>	RECOMMENDED	20/02/2020		PEEL MAIN DRAIN	ORIGINAL SHEET SIZE			
						RM SURVEY	COORDINATE SYS	DES CHD			DAVID WILLS	CONSULTANT PROJECT MANAGER		FILE	PLAN	CAD	ISSUE	A1
						ASCOSN SURVEY	DES REF	DRN ZC			DAVID WILLS	CONSULTANT PROJECT DIRECTOR		PROJECT 19261-C-00	19261-C-00	A	MF	
ISSUE	DATE	GRID	REVISION	DRN	REC	APPD		Q.C. CHD										

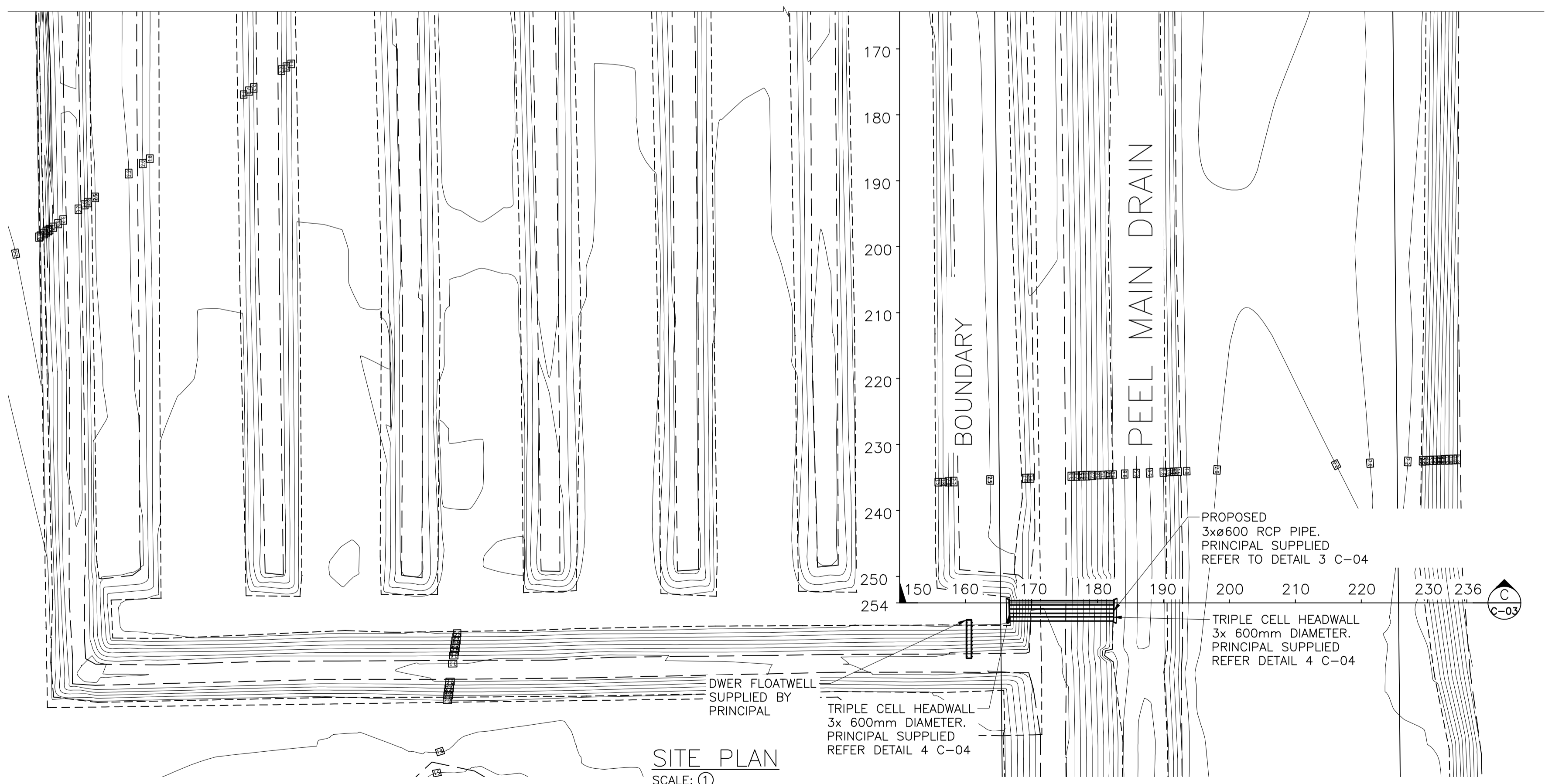
507
DP050788



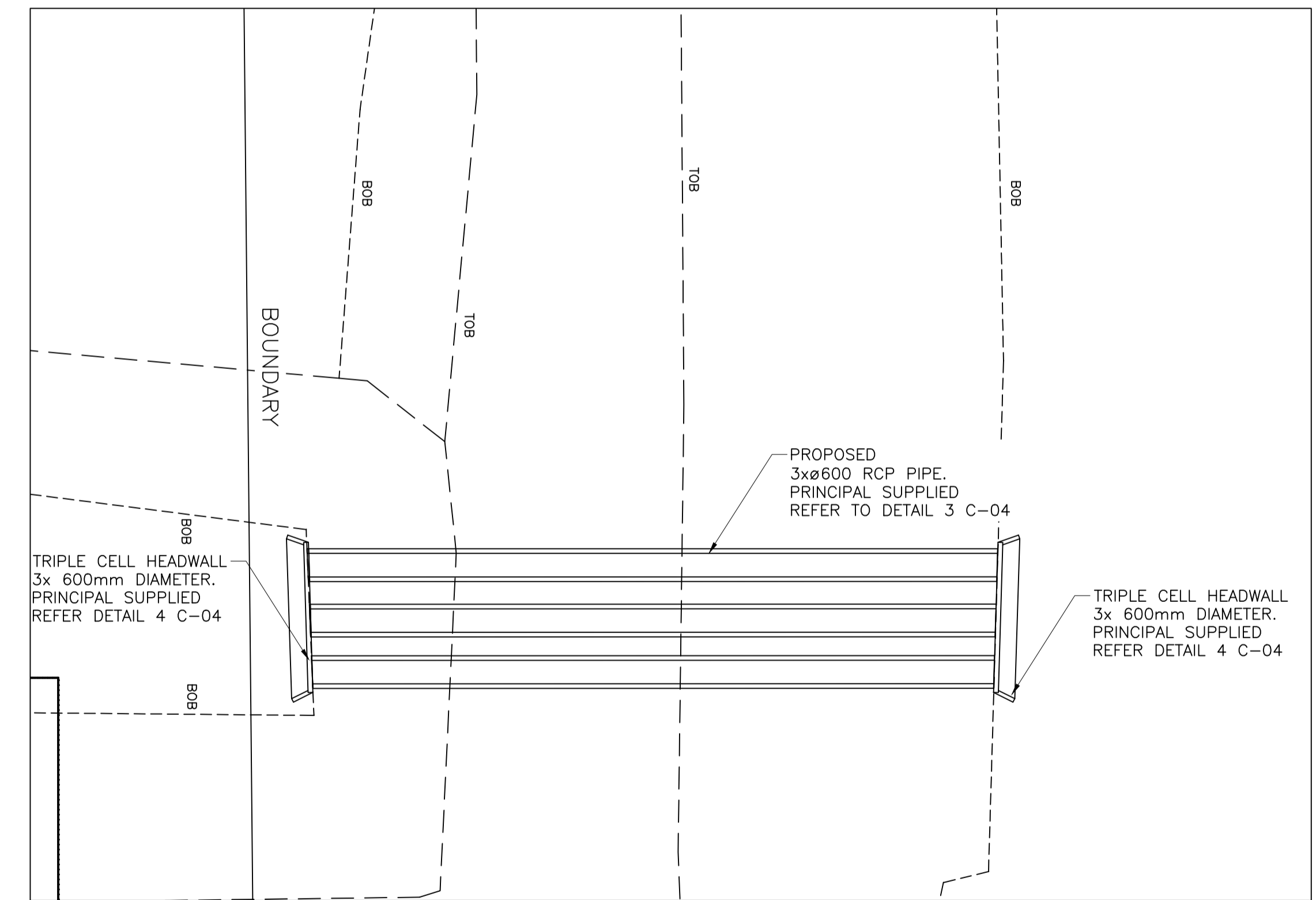
1350
R32200
DP186907



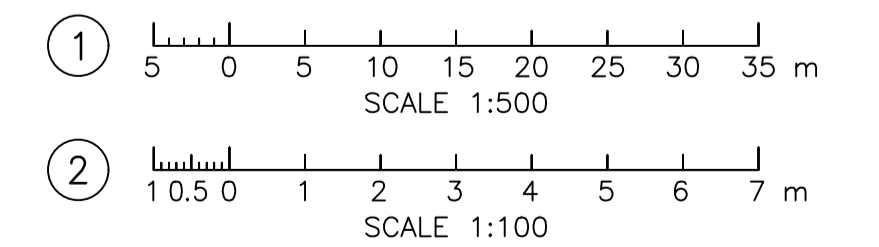
PLAN A
SCALE: ②



SITE PLAN
SCALE: ①



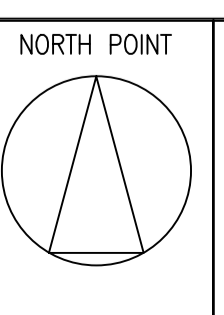
PLAN B
SCALE: ②



05/03/2020 DWA PROJECT NO. 19261-C001-01

A	05/03/20	ISSUED FOR INFORMATION	DW
ISSUE	DATE	REVISION	DRN REC APPD

DESIGN SURVEY RM SURVEY	VERTICAL DATUM DW	DES CALC DW
ASCON SURVEY NONE	COORDINATE SYS	DES CHD DW
	DES REF	DRN ZC
		Q.C. CHD DW



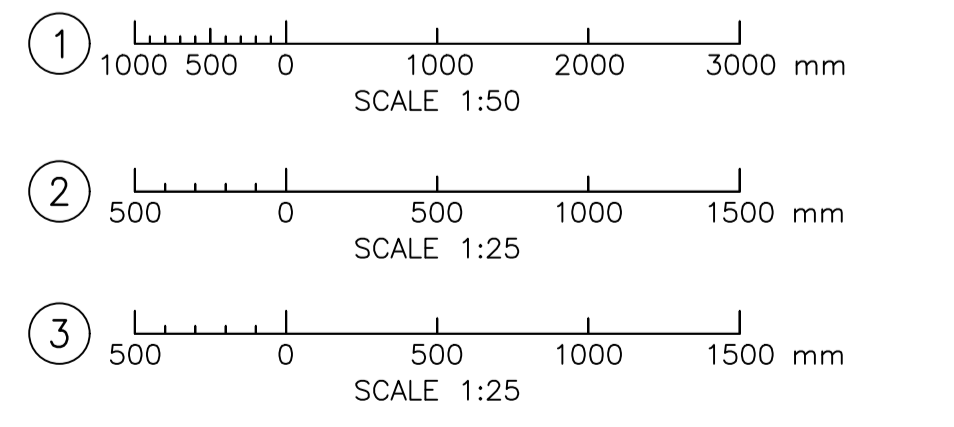
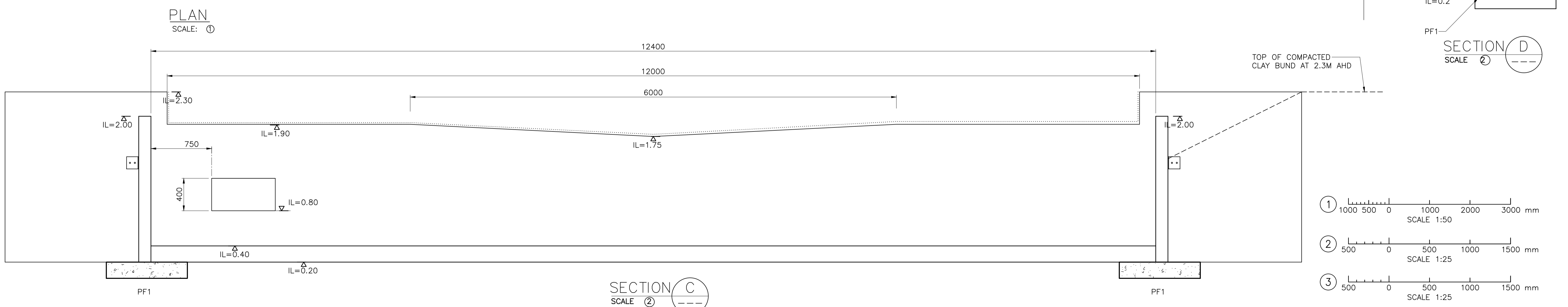
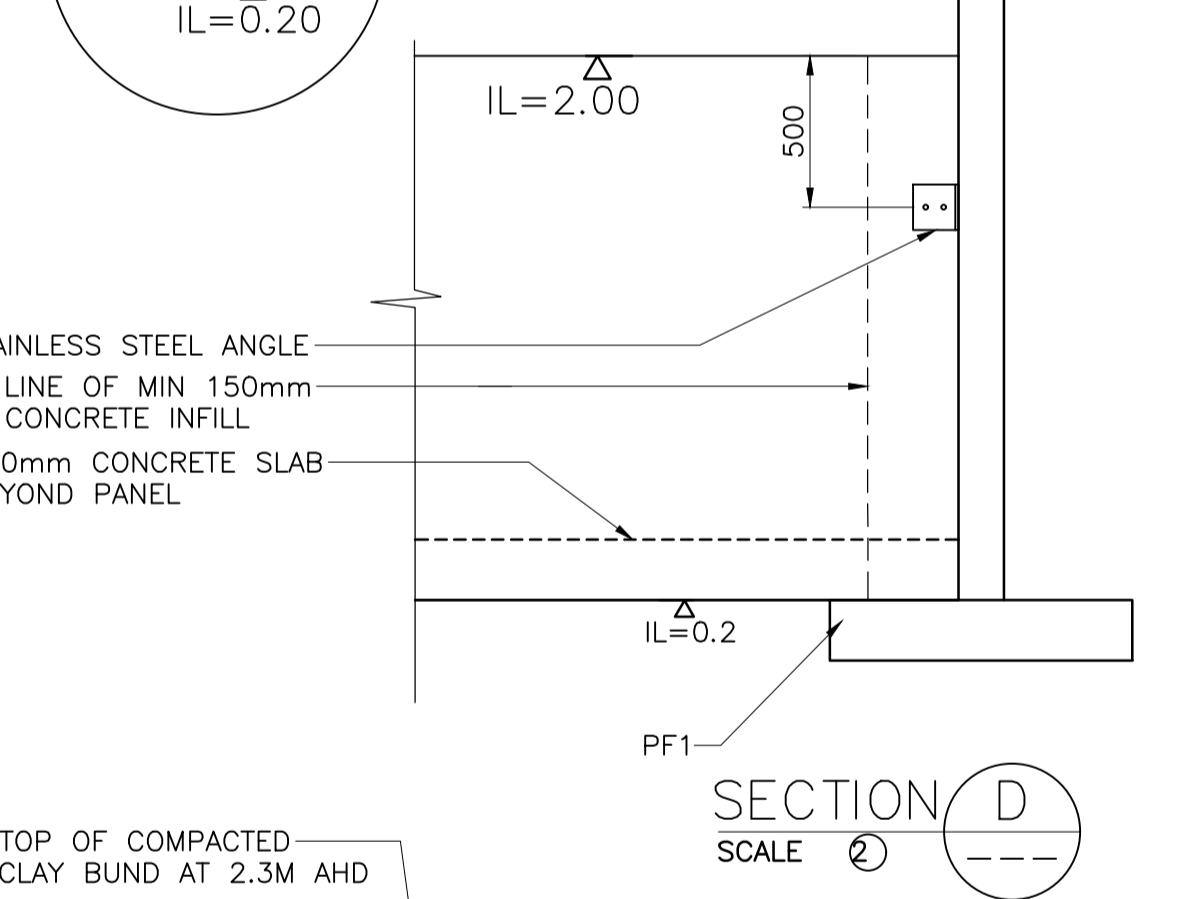
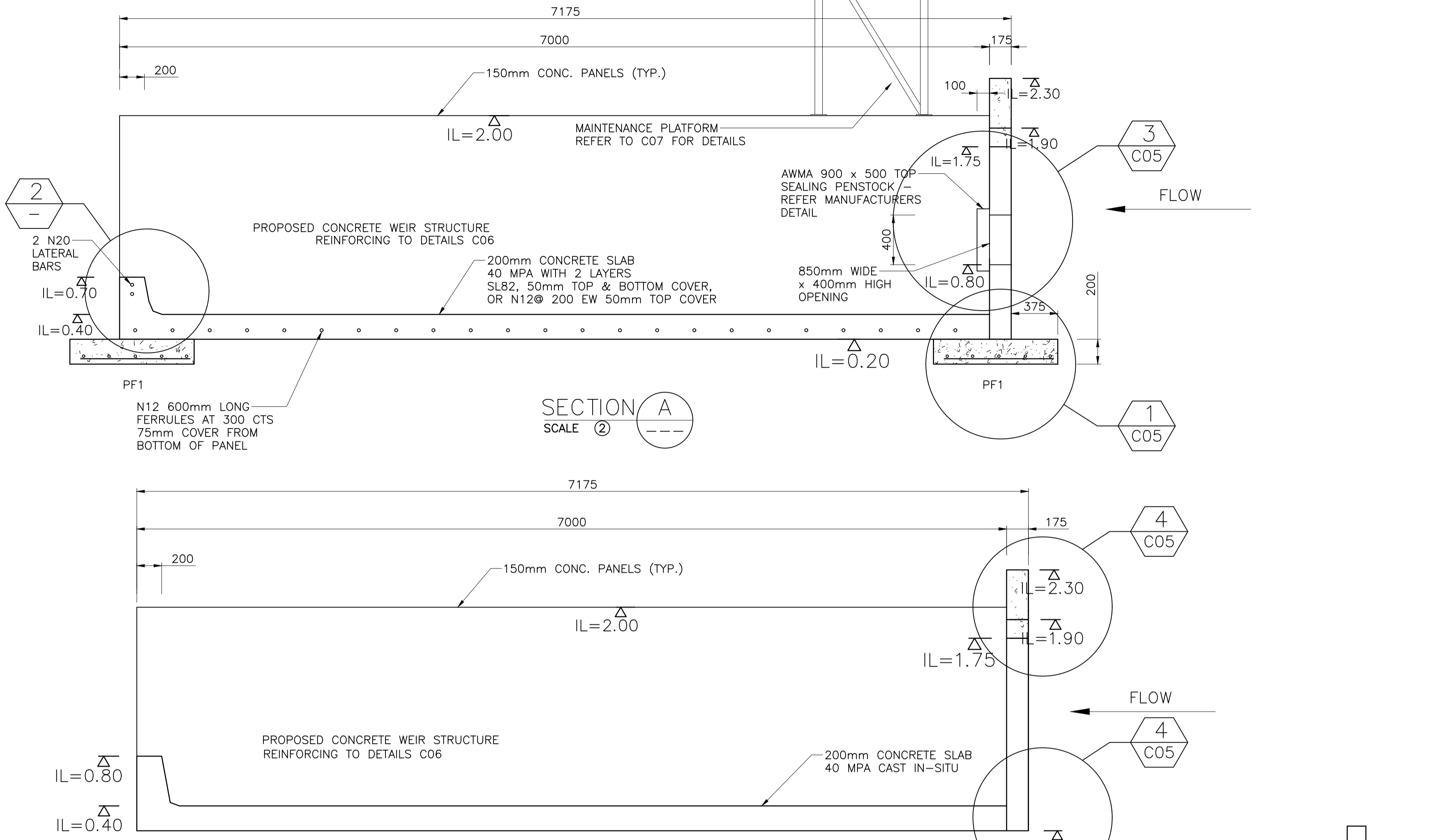
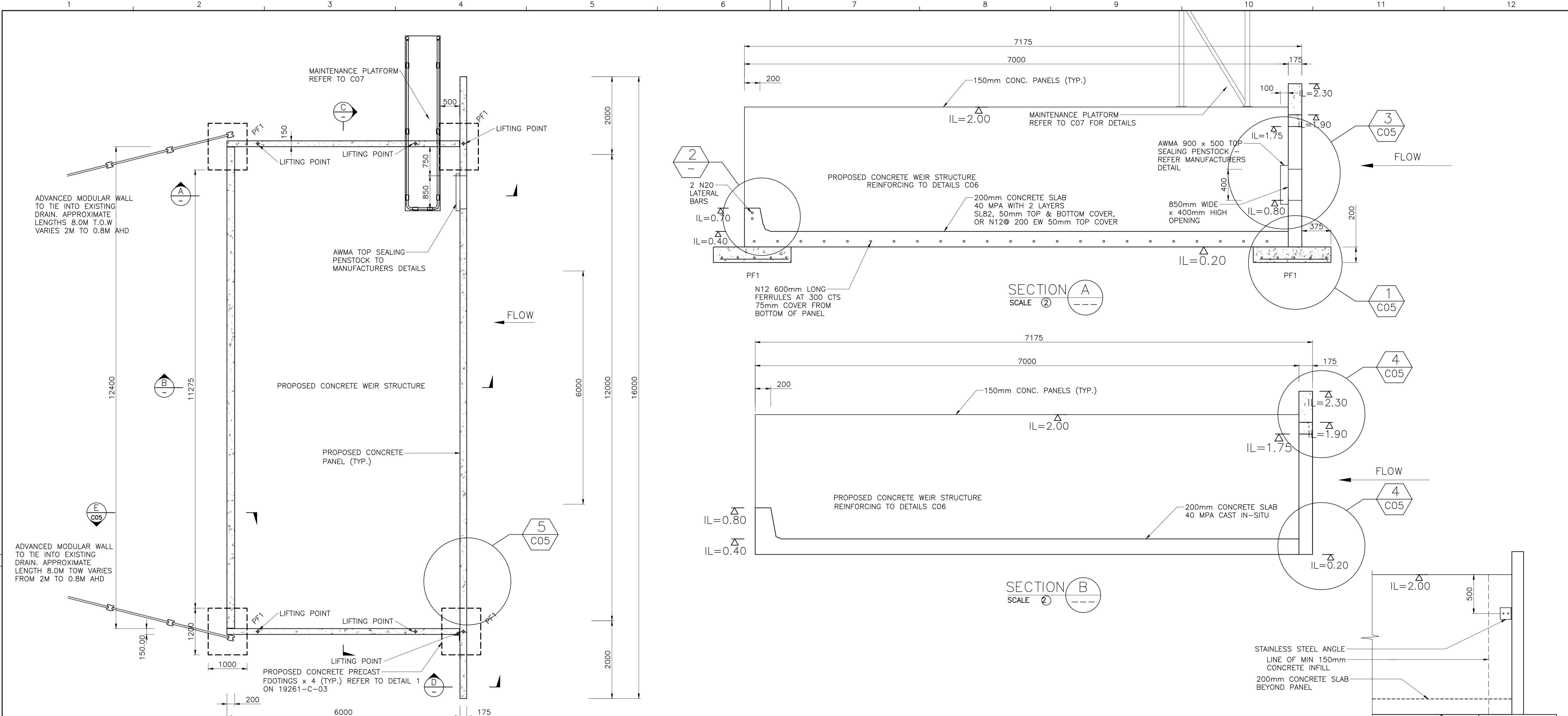
Office:
Unit 1 / 9 Shields Crescent
BOORAGOON WA 6154
Mail:
PO Box 3084
MYAREE LPO WA 6154
Phone (08) 9424 0900
Fax (08) 9330 3133
E-mail dwa@dwaconsulting.com.au
ABN 34 900 498 130

RECOMMENDED	20/02/2020
DAVID WILLS	
CONSULTANT PROJECT MANAGER	
APPROVED	20/02/2020
DAVID WILLS	
CONSULTANT PROJECT DIRECTOR	



PEEL MAIN DRAIN		FILE	PLAN	CAD	ISSUE
		PROJECT 19261-C-01	19261-C-01	A	MF

ORIGINAL SHEET SIZE
A1



566	05/03/20	ISSUED FOR INFORMATION	ZC	DW	DW	DESIGN SURVEY RM SURVEY	VERTICAL DATUM	DES CALC DW	NORTH POINT	Office: Unit 1 / 9 Shields Crescent BOORAGOON WA 6154 Mail: PO Box 3084 MYAREE LPO WA 6154 Phone (08) 9424 0900 Fax (08) 9330 3133 E-mail dwa@dwaconsulting.com.au ABN 34 900 498 130	RECOMMENDED 20/02/2020 DAVID WILLS CONSULTANT PROJECT MANAGER		PEEL MAIN DRAIN	ORIGINAL SHEET SIZE
ISSUE	DATE	GRID	DRN	REC	APPD	ASCEN SURVEY NONE	COORDINATE SYS	DES CHD DW	DRN ZC Q.C. CHD DW	APPROVED 20/02/2020 DAVID WILLS CONSULTANT PROJECT DIRECTOR	FILE C-02 PLAN		ISSUE A	19261-C-02

VERT SCALE: 50
 HORIZ SCALE: 1:250
 VERT EXAG 1:5

Datum -1.000

EXISTING LEVELS		2.898	1.600	1.600	1.771		1.681	1.600	1.744	1.784		1.603	1.733	1.624	1.770	1.780	1.709	3.396	1.139
CHAINAGE	10.000	20.000	30.000	40.000	50.000		70.000	80.000	90.000	100.000		110.000	120.000	130.000	140.000	150.000	160.000	170.000	180.000

SECTION A
 SCALE ①

VERT SCALE: 50
 HORIZ SCALE: 1:250
 VERT EXAG 1:5

Datum -1.000

EXISTING LEVELS		1.600	3.321	2.300	1.142	1.623	2.300	2.001	2.002	2.200	2.092	2.200	2.933	
CHAINAGE		160.000	170.000	177.040	180.000	190.000	193.040	200.000	210.000	214.200	220.000	226.260	230.000	236.000

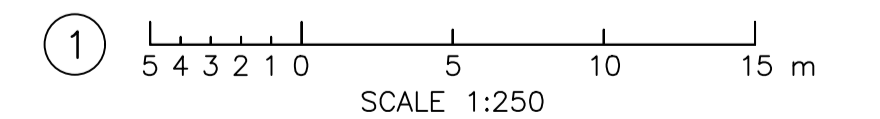
SECTION B
 SCALE ①

VERT SCALE: 50
 HORIZ SCALE: 1:250
 VERT EXAG 1:5

Datum -1.000

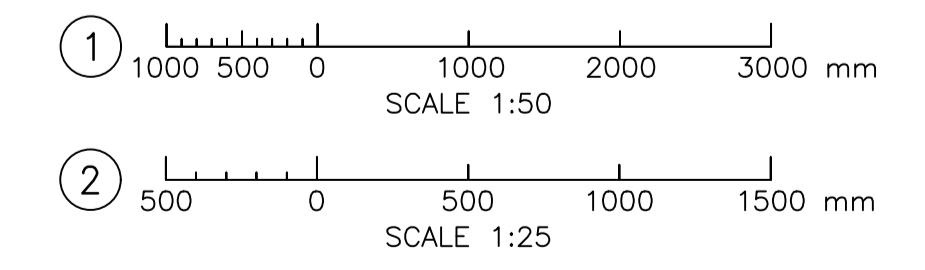
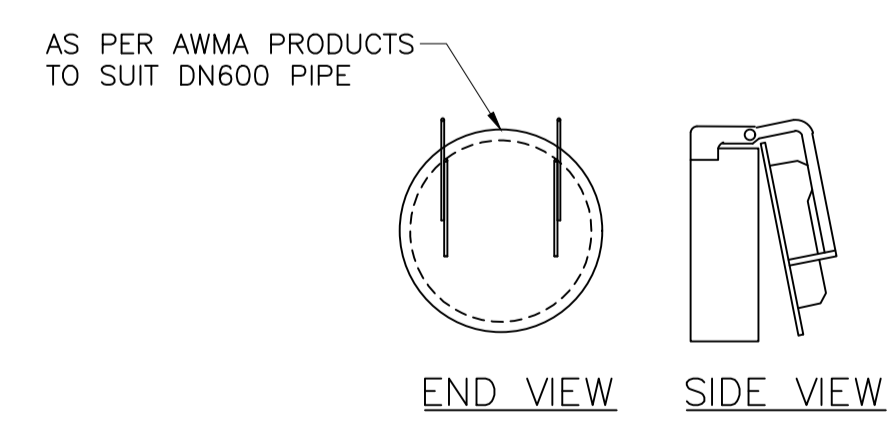
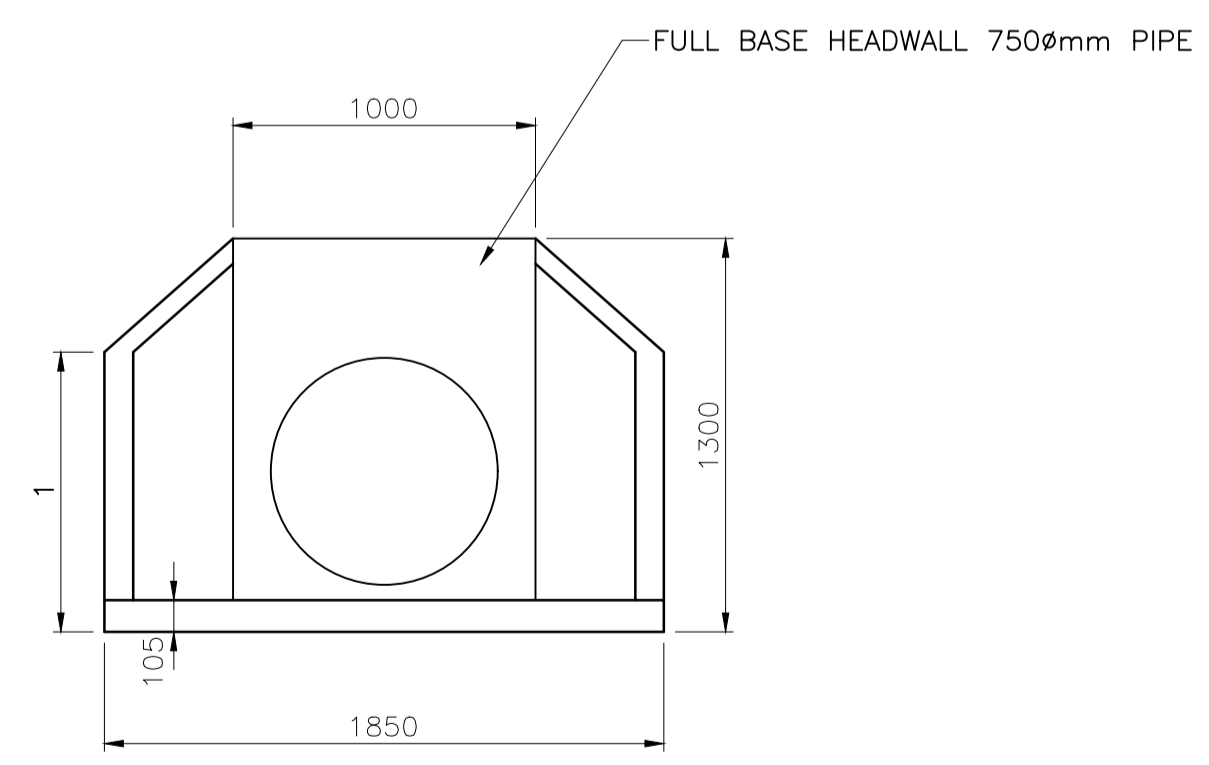
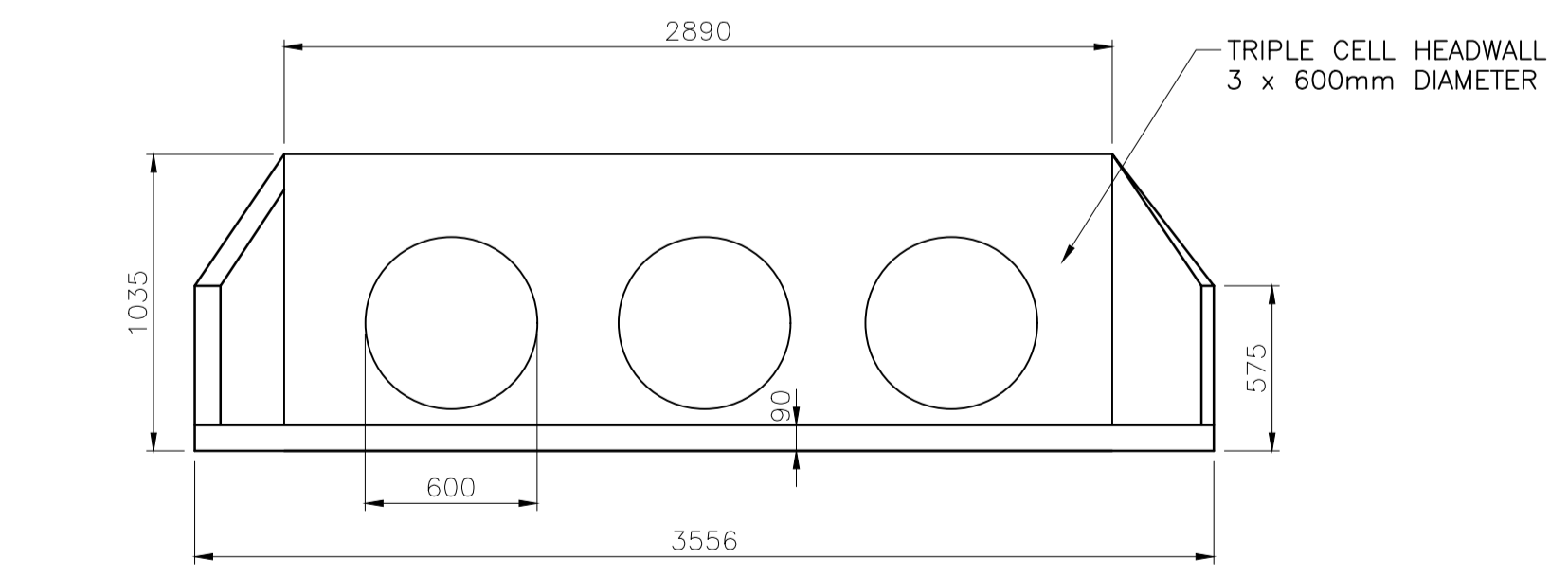
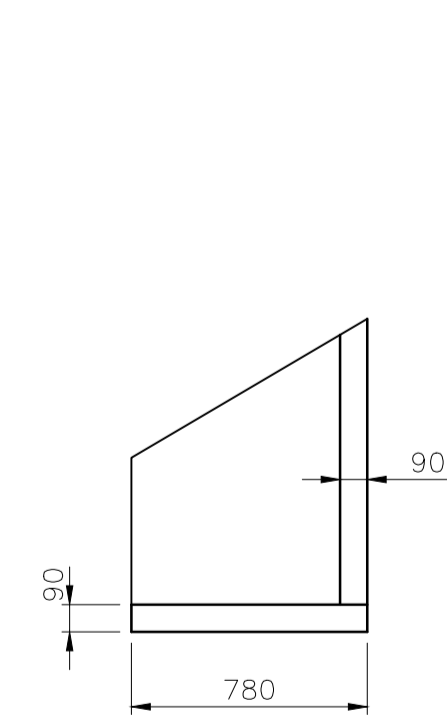
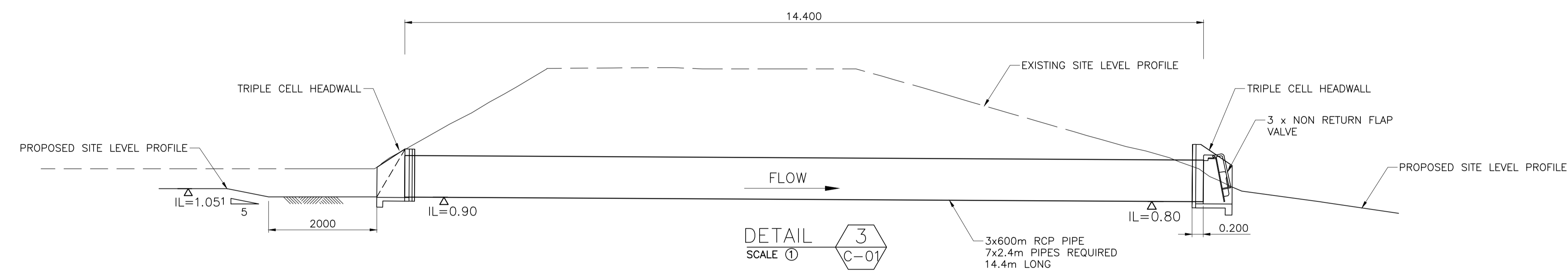
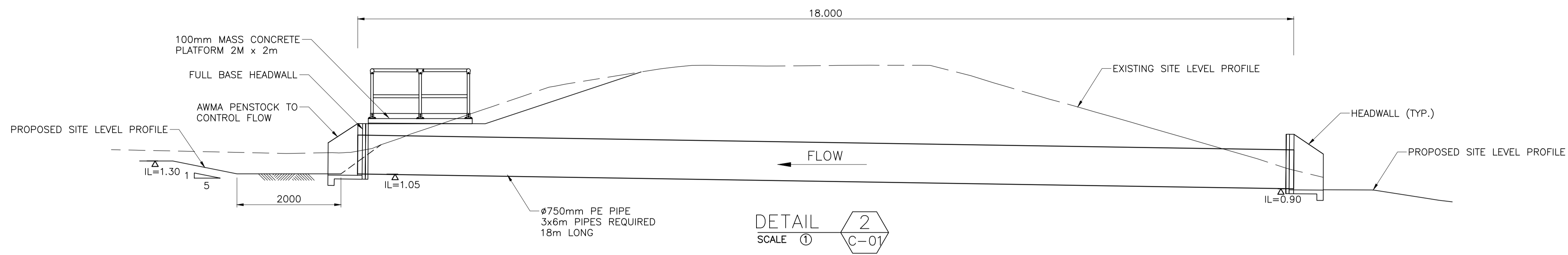
EXISTING LEVELS		1.400	3.209	1.897	0.726	2.171	2.179	2.161	2.645	
CHAINAGE		160.000	170.000	180.000	190.000	200.000	210.000	220.000	230.000	236.000

SECTION C
 SCALE ①



05/03/2020 DWA PROJECT NO. 19261-C003-03

A	50/03/20	ISSUED FOR INFORMATION	ZC	DW	DW	DESIGN SURVEY	VERTICAL DATUM	DES CALC	NORTH POINT	RECOMMENDED	20/02/2020	DAVID WILLS	CONSULTANT PROJECT MANAGER	WATER CORPORATION	PEEL MAIN DRAIN	ORIGINAL SHEET SIZE					
						RM SURVEY	COORDINATE SYS	DES CHD													
		REVISION	DRN	REC	APPD	ASCEN SURVEY	DES REF	DRN ZC		APPROVED	20/02/2020	DAVID WILLS	CONSULTANT PROJECT DIRECTOR	FILE	C-03	PLAN	19261-C-03	CAD	ISSUE	A	
56	ISSUE	DATE	GRID			NONE		Q.C. CHD						PROJECT	EEL MAIN DRAIN						MF



DETAIL 4
SCALE 2
C-01

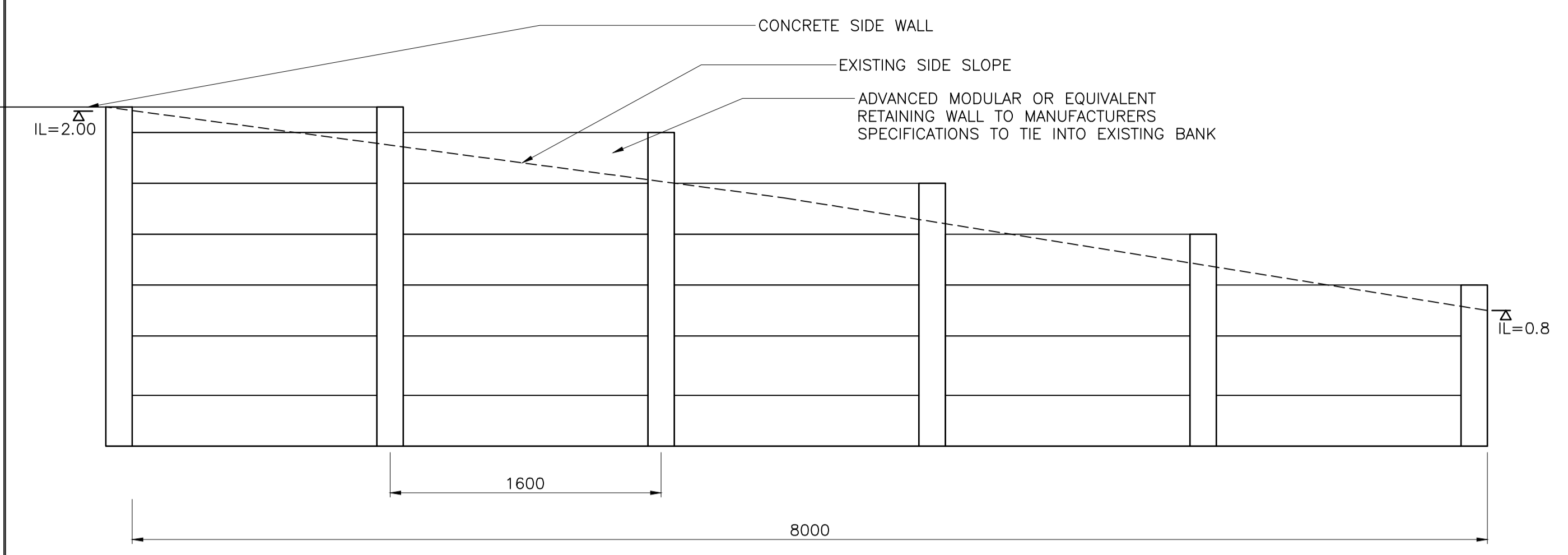
DETAIL 3
SCALE 1
C-01

DETAIL 2
SCALE 1
C-01

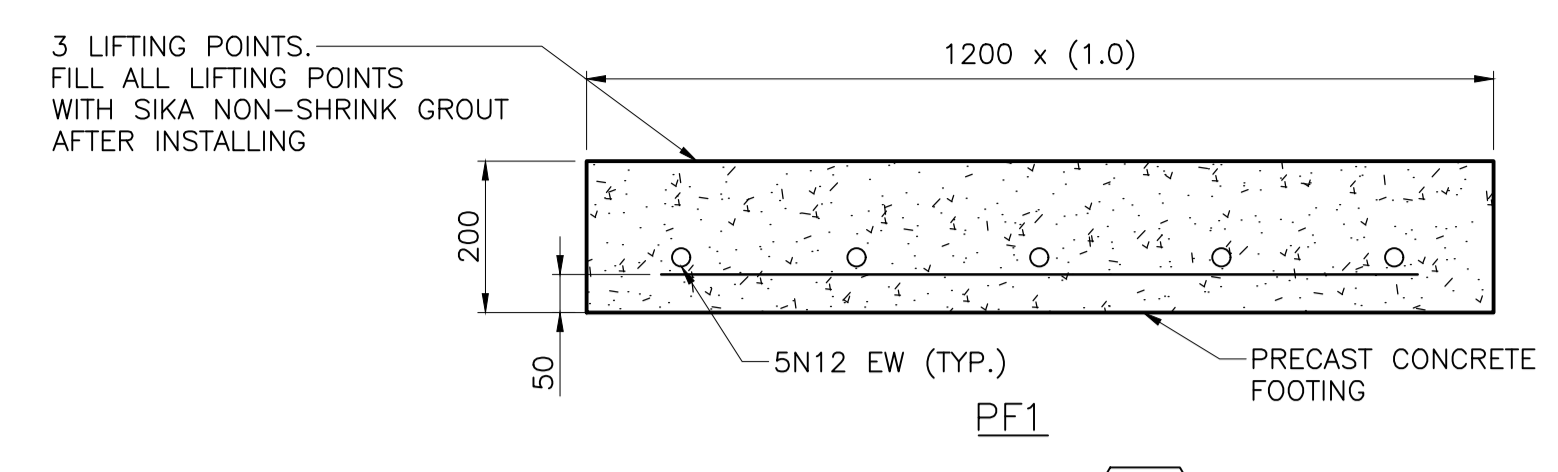
DETAIL 5
SCALE 2
C-01

DETAIL 6
SCALE 2
C-01

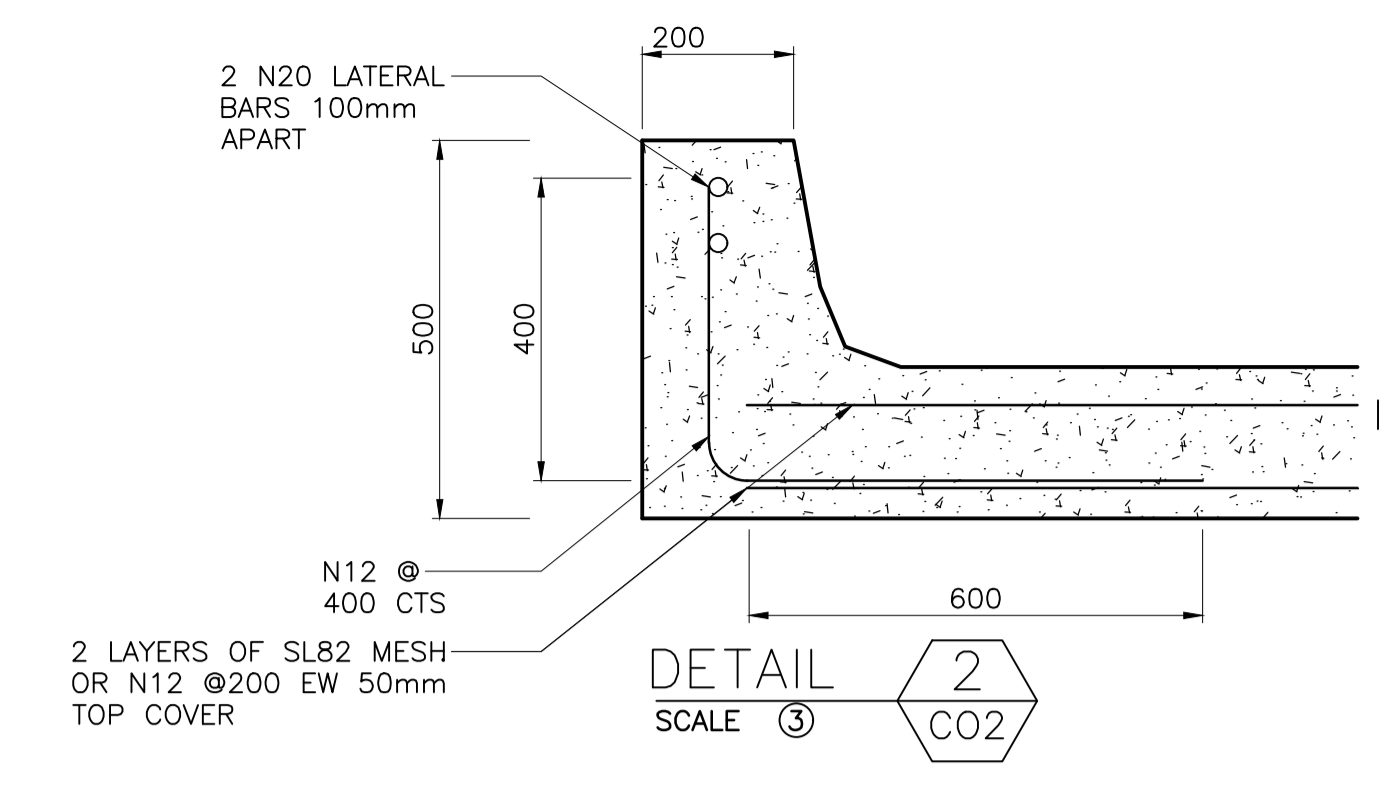
ISSUE	DATE	GRID	REVISION	DRN	REC	APPD	DESIGN SURVEY RM SURVEY	VERTICAL DATUM COORDINATE SYS	DES CALC DW DES CHD DW	NORTH POINT	<p>David Wills and Associates Consulting Engineers</p>	Office: Unit 1 / 9 Shields Crescent BOORAGOON WA 6154 Mail: PO Box 3084 MYAREE LPO WA 6154 Phone (08) 9424 0900 Fax (08) 9330 3133 E-mail dwa@dwaconsulting.com.au ABN 34 900 498 130	RECOMMENDED DAVID WILLS CONSULTANT PROJECT MANAGER	APPROVED 20/02/2020 DAVID WILLS CONSULTANT PROJECT DIRECTOR	<p>WATER CORPORATION</p>	PEEL MAIN DRAIN	FILE C-04	PLAN 19261-C-04	CAD A	ISSUE A	ORIGINAL SHEET SIZE A1
5/6	05/03/20		ISSUED FOR INFORMATION	ZC	DW	DW	ASCOSURVEY NONE	DES REF	DRN ZC Q.C. CHD DW												



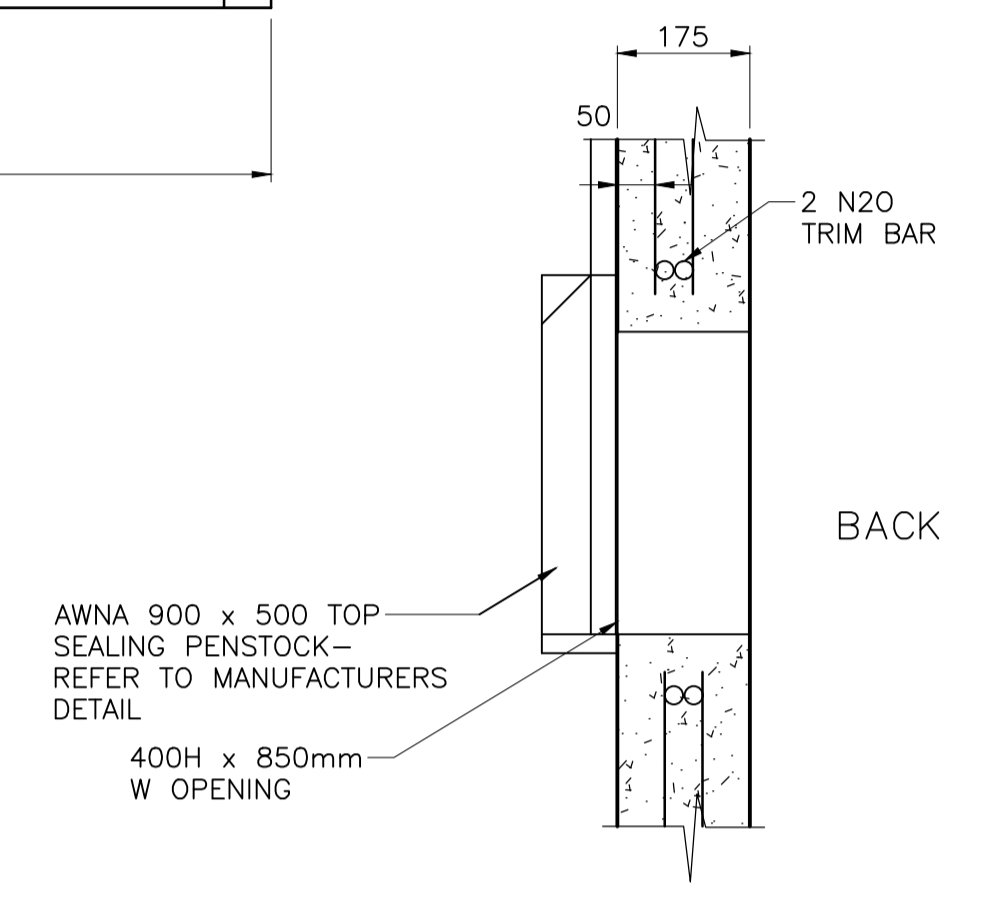
SECTION E
SCALE ③



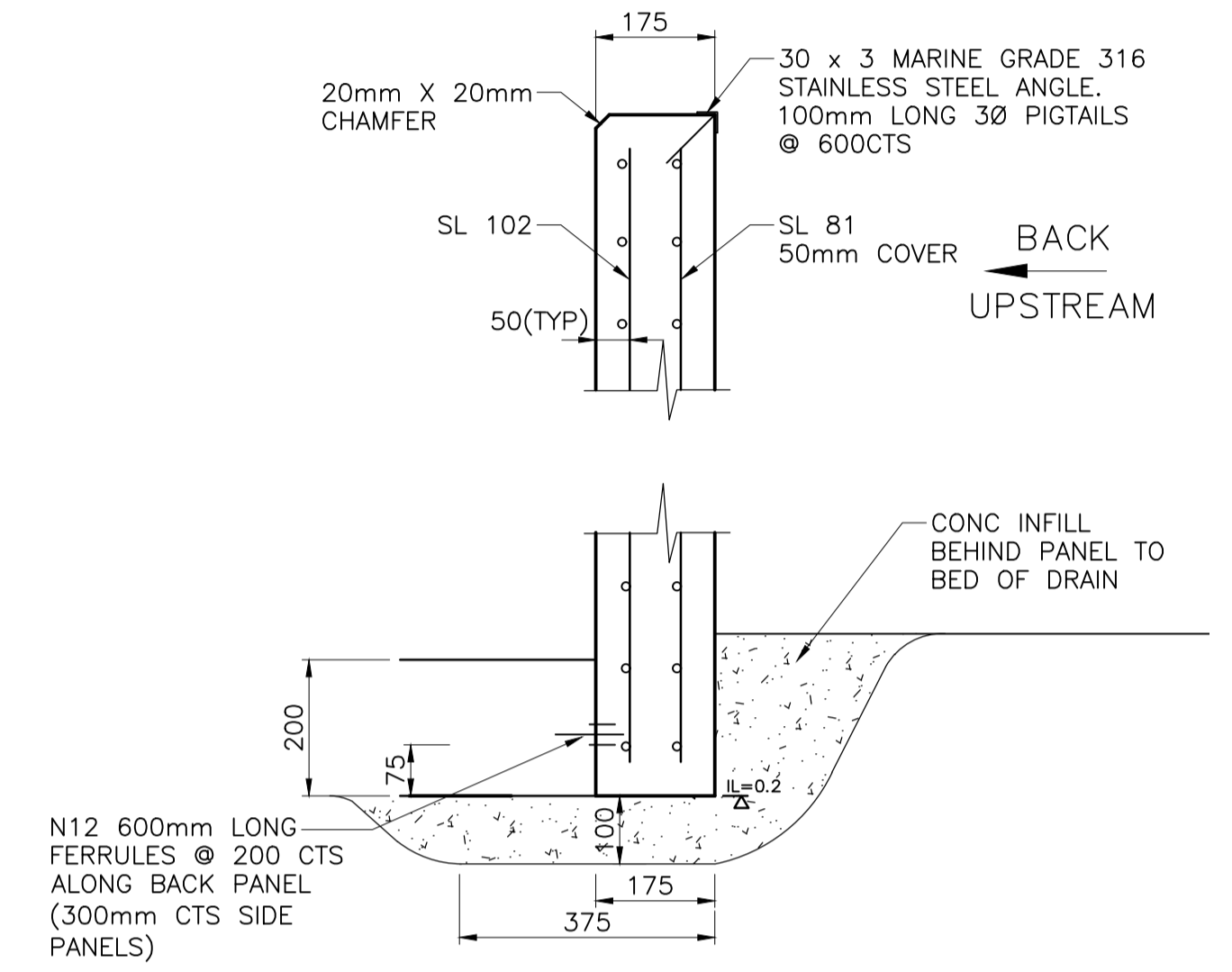
DETAIL 1
SCALE ③



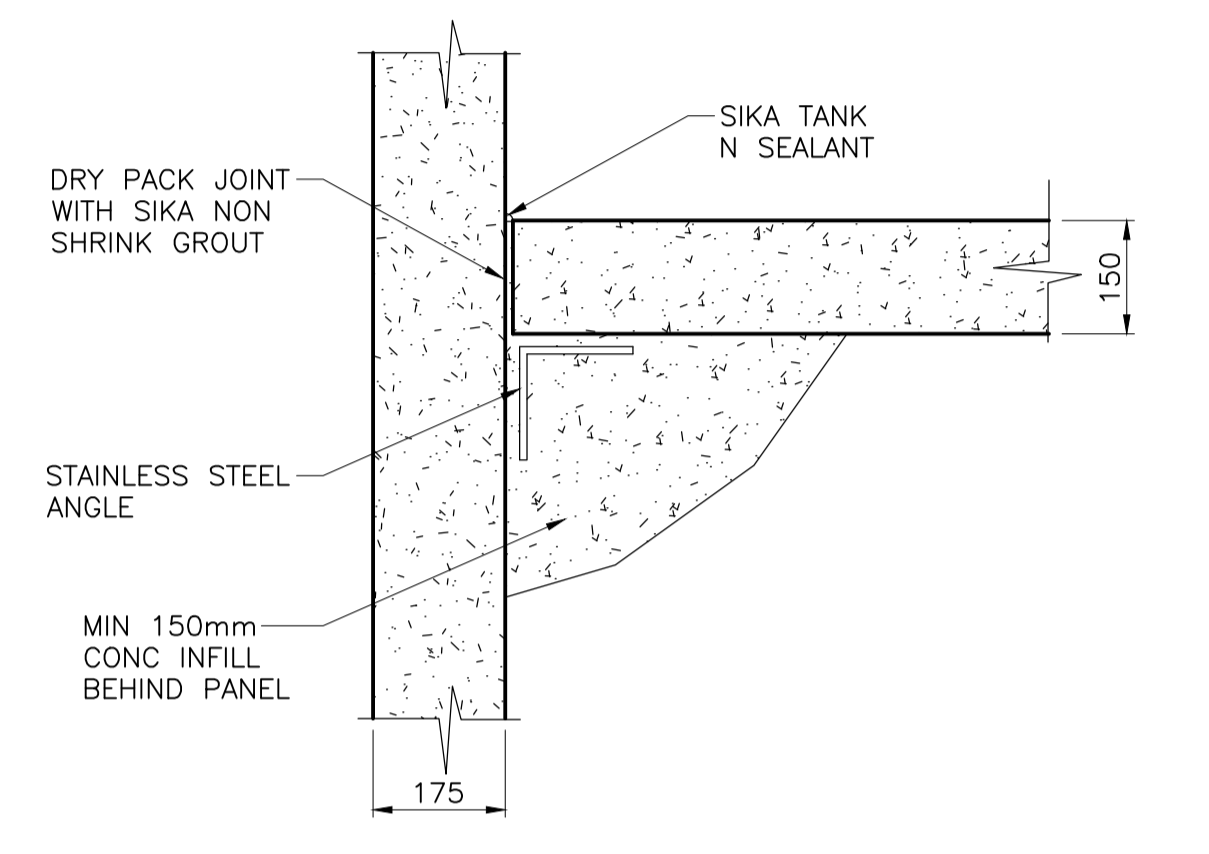
DETAIL 2
SCALE ③



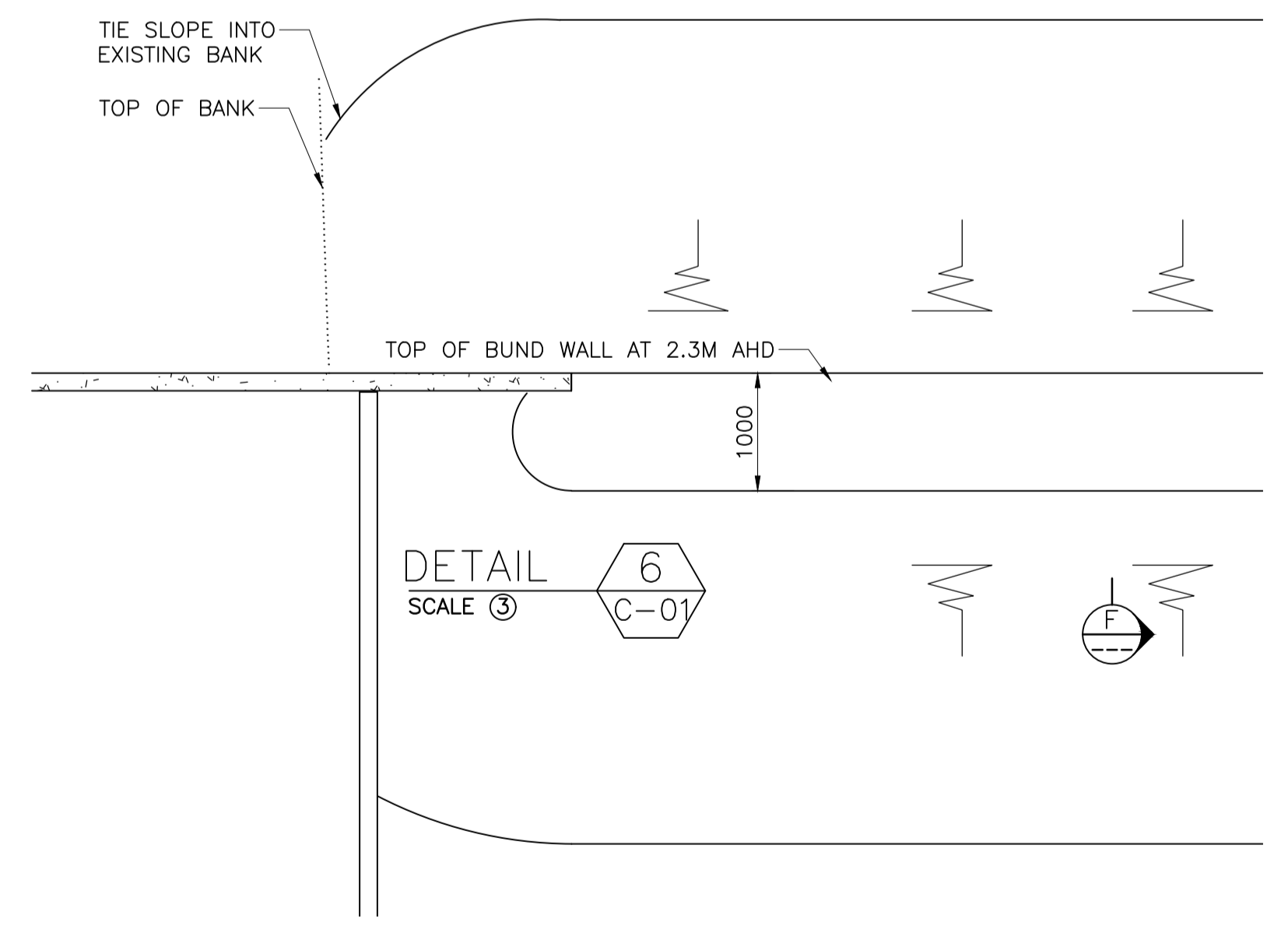
DETAIL 3
SCALE ③



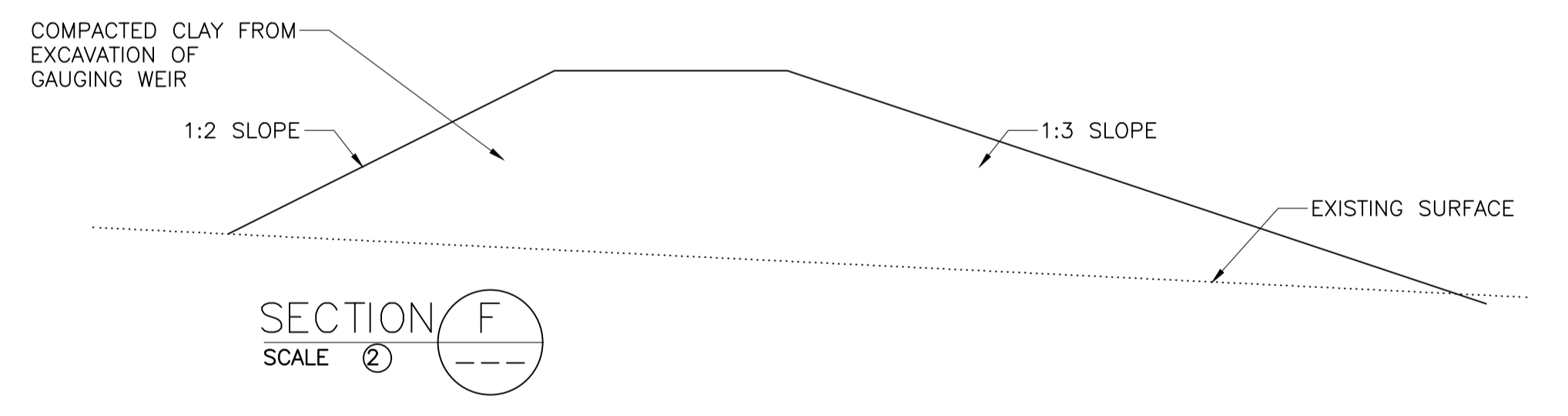
DETAIL 4
SCALE ③



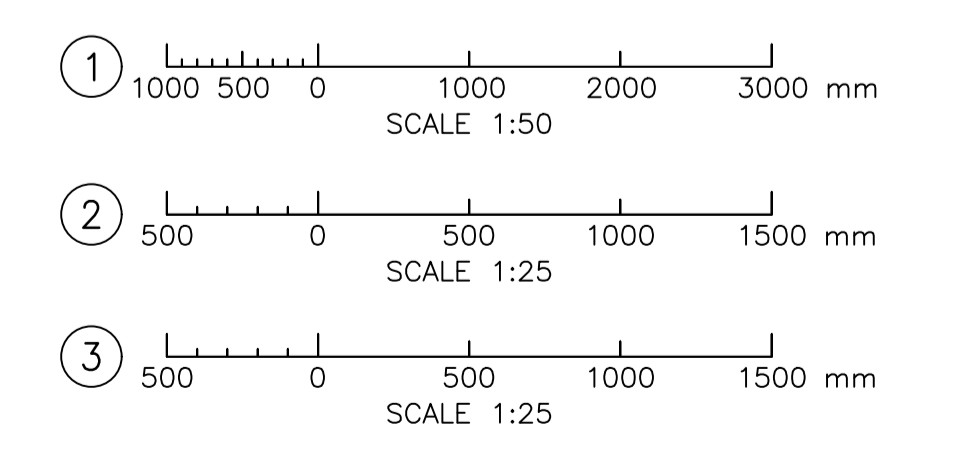
DETAIL 5
SCALE ③



DETAIL 6
SCALE ③

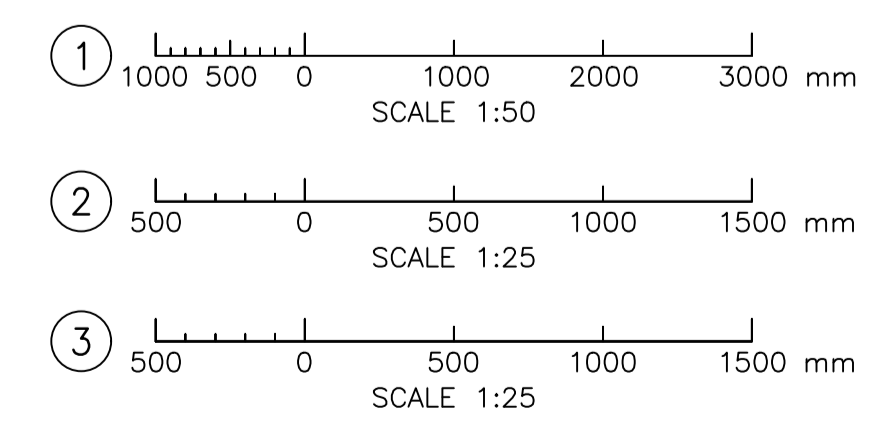
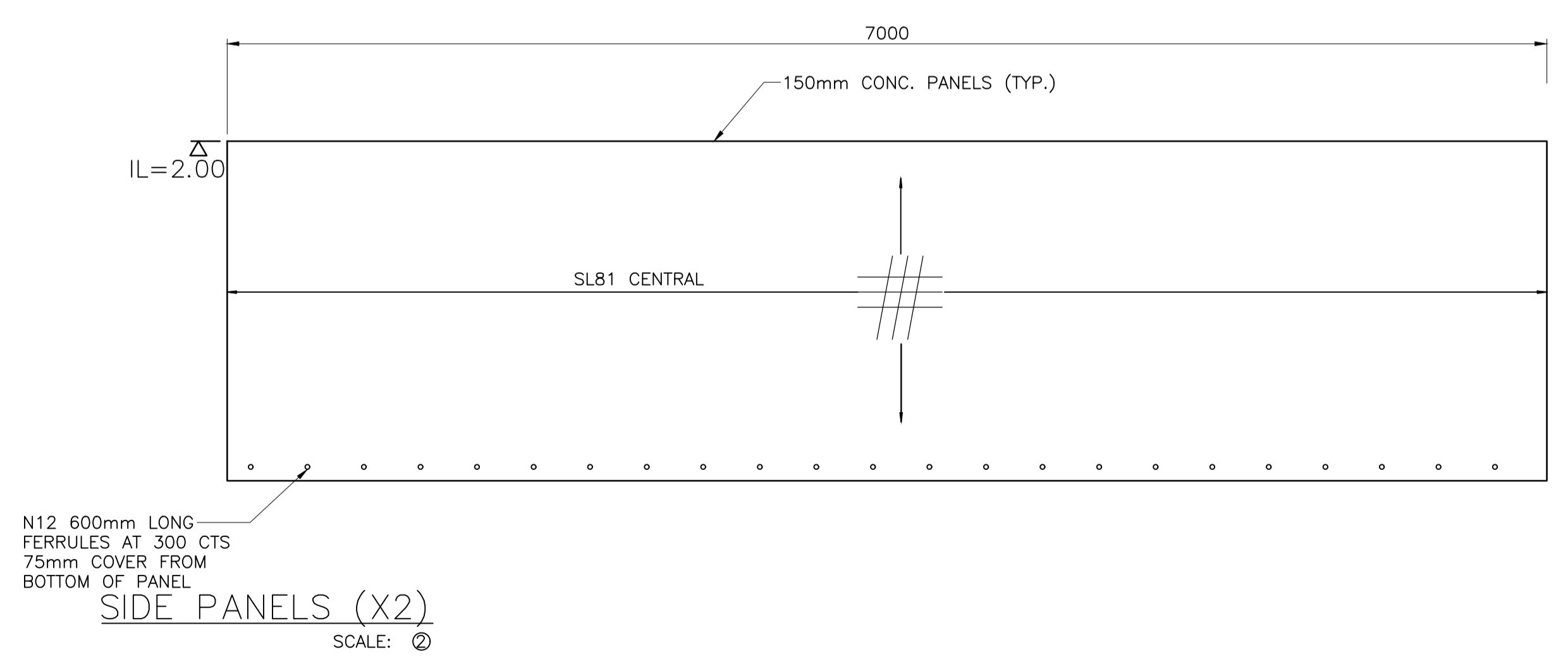
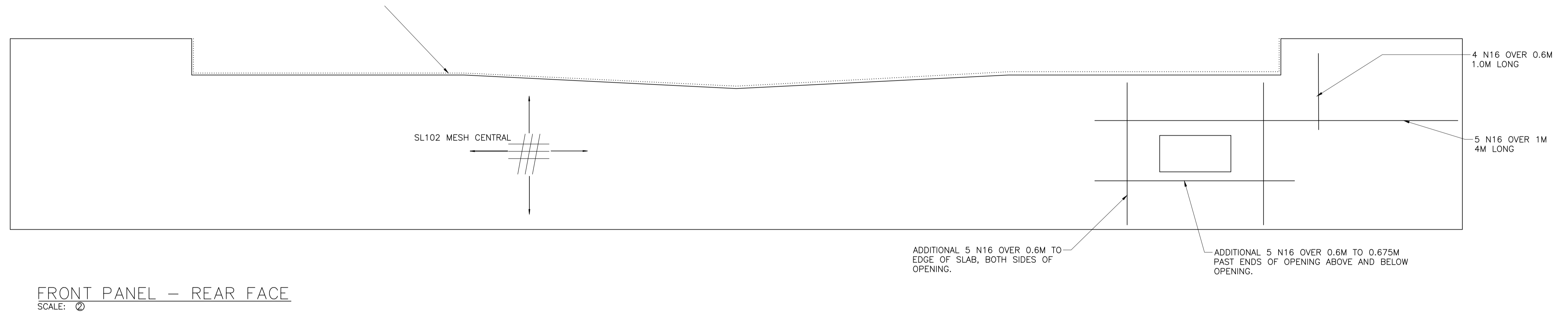
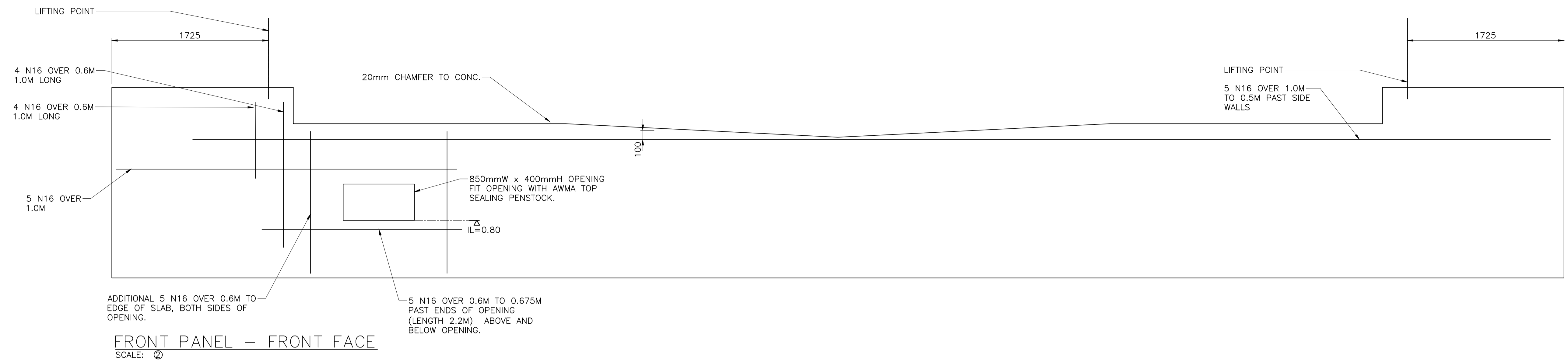


SECTION F
SCALE ②



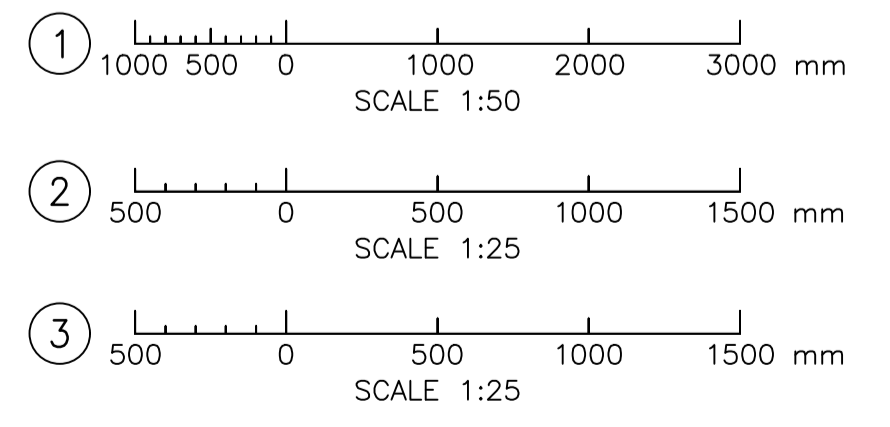
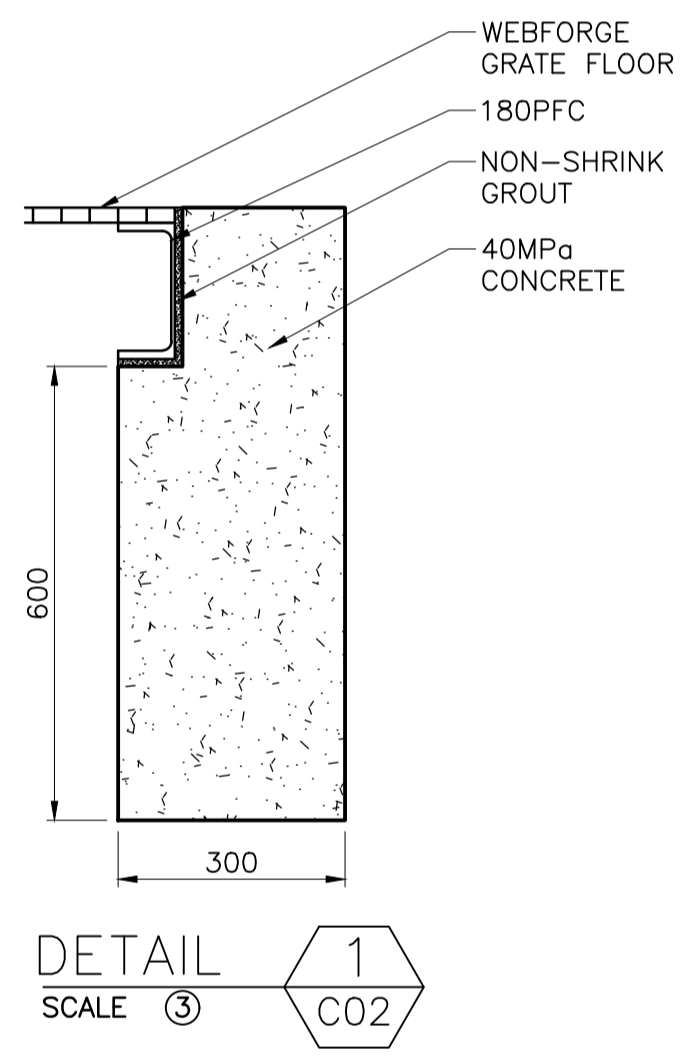
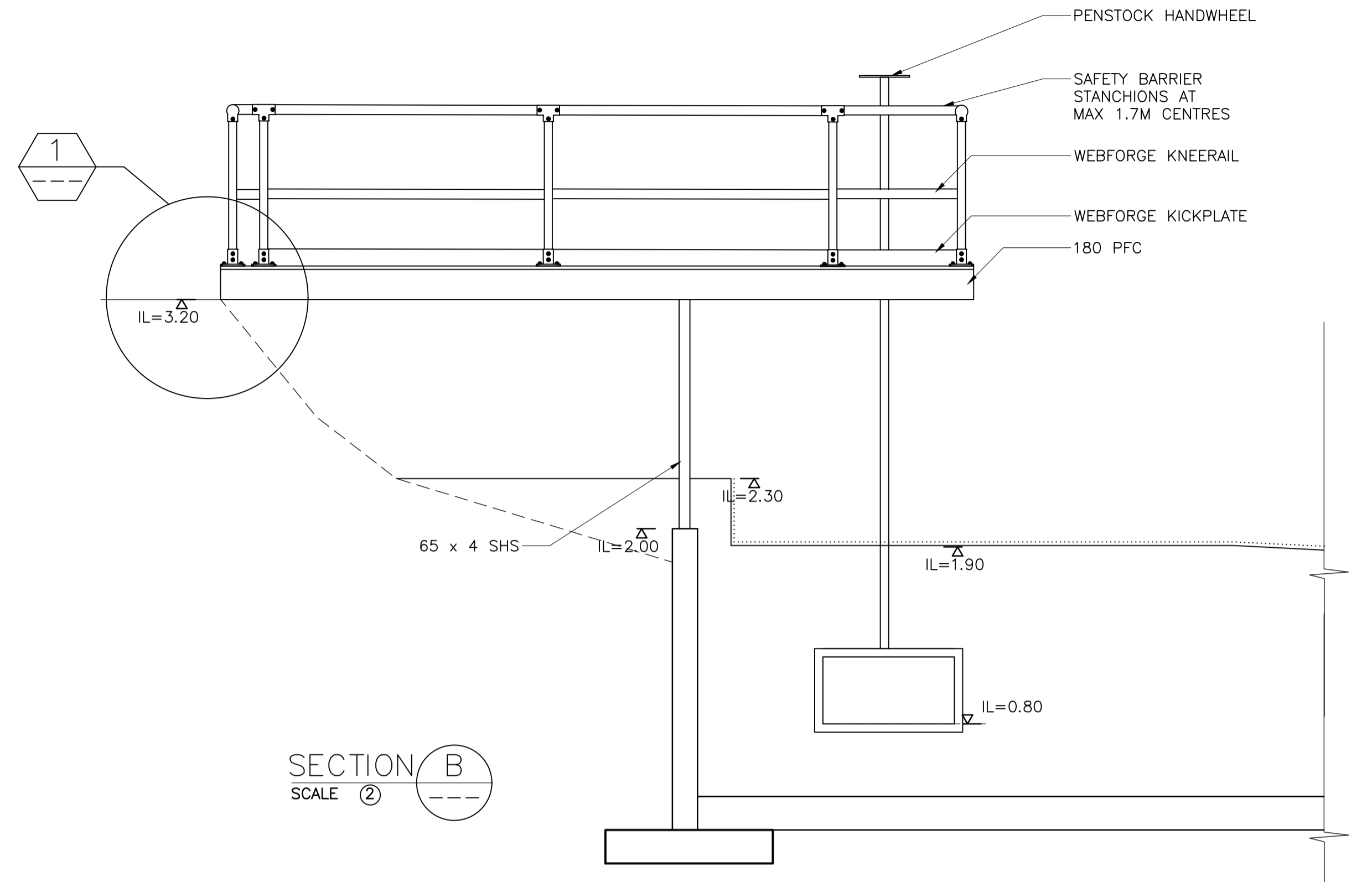
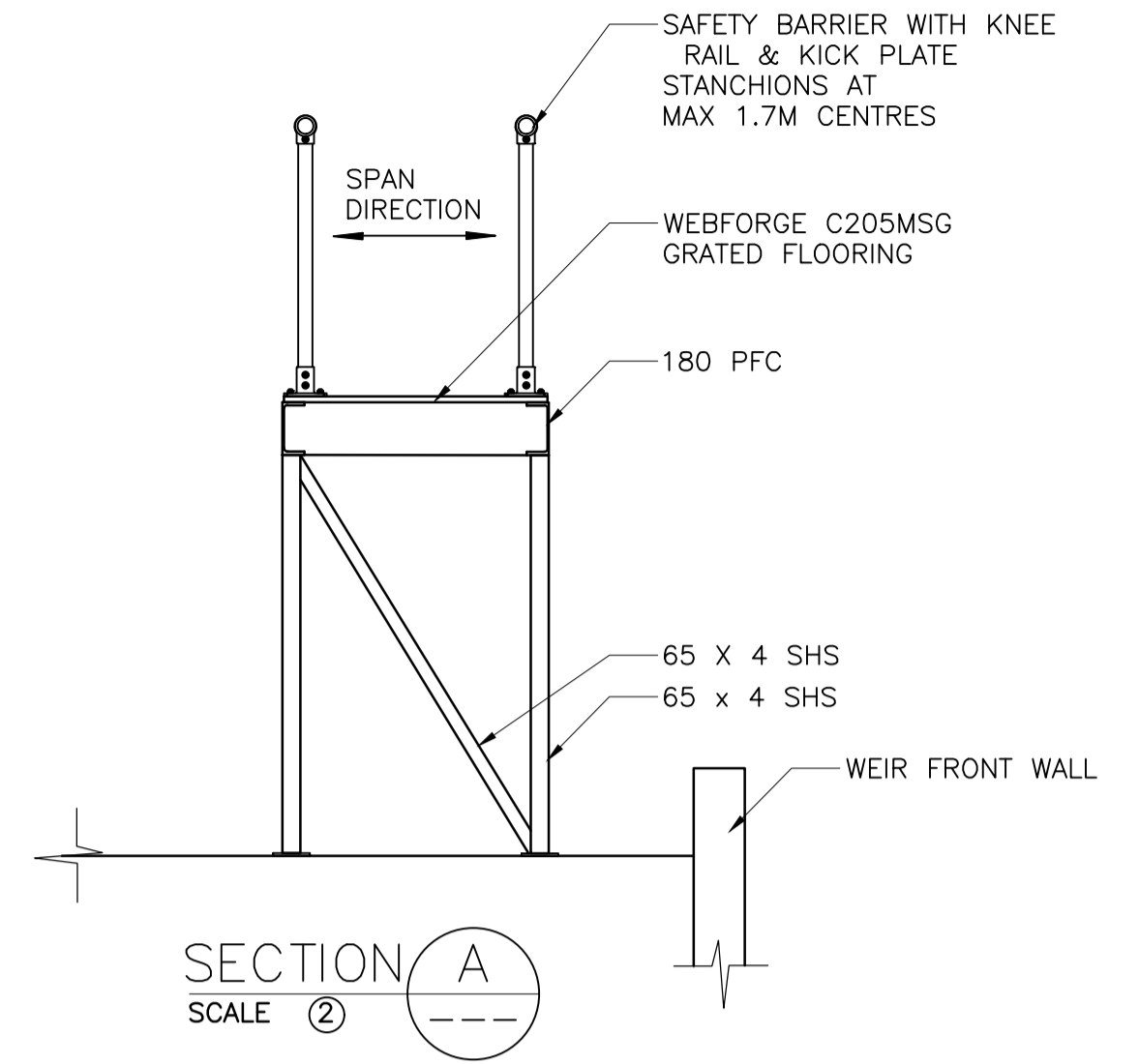
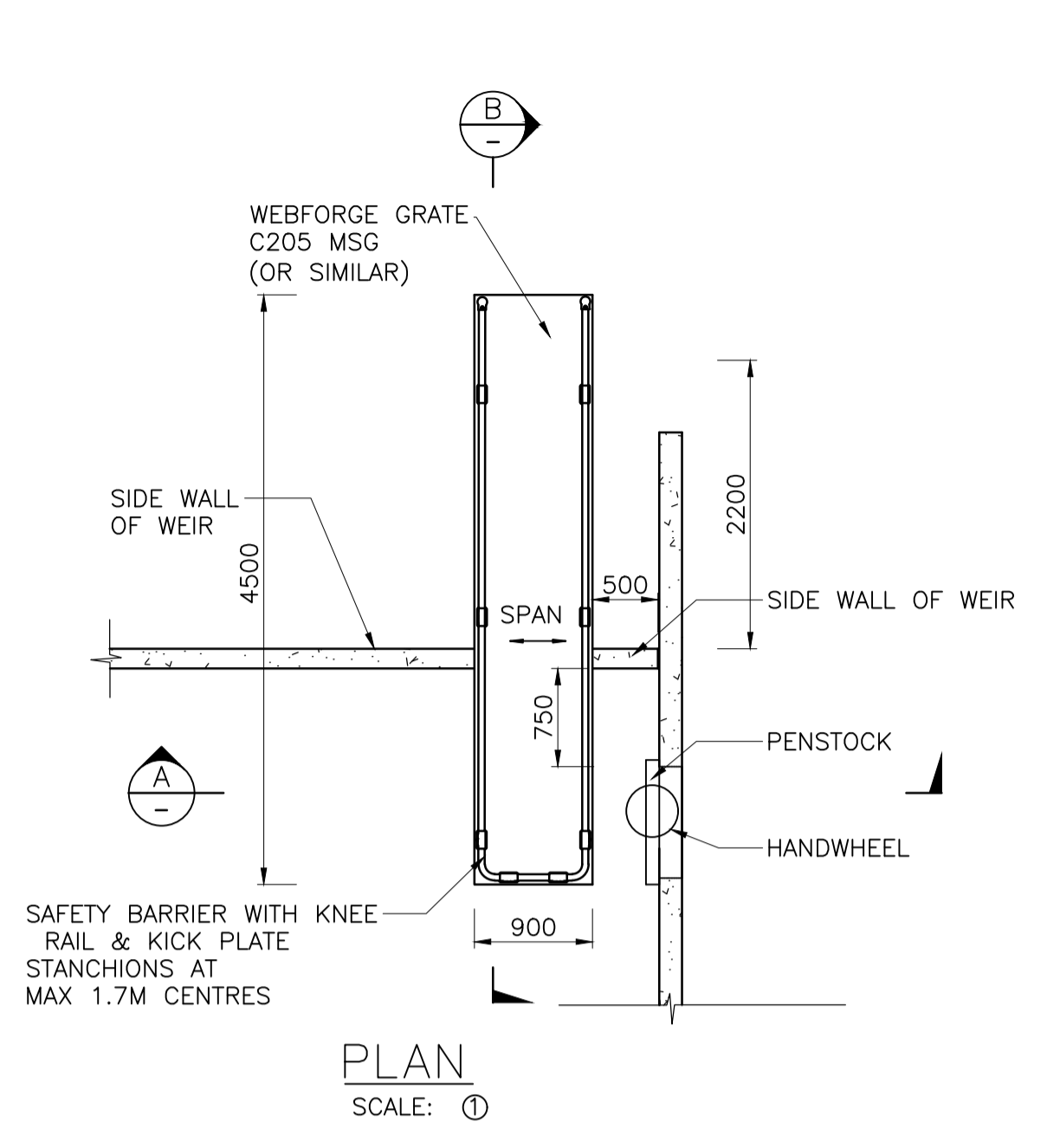
05/03/2020 DWA PROJECT NO. 19261-C002-02

A	05/03/20	ISSUED FOR INFORMATION	ZC	DW	DW	DESIGN SURVEY	VERTICAL DATUM	DES CALC	NORTH POINT	<p>David Wills and Associates Consulting Engineers</p>	<p>Office: Unit 1 / 9 Shields Crescent BOORAGOON WA 6154 Mail: PO Box 3084 MYAREE LPO WA 6154 Phone (08) 9424 0900 Fax (08) 9330 3133 E-mail dwa@dwaconsulting.com.au ABN 34 900 498 130</p>	RECOMMENDED	20/02/2020	<p>WATER CORPORATION</p>	PEEL MAIN DRAIN	ORIGINAL SHEET SIZE A1	
						RM SURVEY	COORDINATE SYS	DES CHD				DESIGNER	DAVID WILLS		CONSULTANT PROJECT MANAGER		FILE C-05
ISSUE	DATE	GRID	REVISION	DRN	REC	APPD	ASCON SURVEY	DES REF	DRN ZC			APPROVED	20/02/2020				
							NONE		Q.C. CHD			DAVID WILLS					



05/03/2020 DWA PROJECT NO. 19261-C002-02

A	05/03/20	ISSUED FOR INFORMATION	ZC	DW	DW	DESIGN SURVEY	VERTICAL DATUM	DES CALC	NORTH POINT	 David Wills and Associates Consulting Engineers	Office: Unit 1/9 Shields Crescent BOORAGOON WA 6154 PO Box 3084 MYABEE LPO WA 6154 Phone (08) 9424 0900 Fax (08) 9330 3133 E-mail dwa@dwaconsulting.com.au ABN 34 900 498 130	RECOMMENDED	20/02/2020		PEEL MAIN DRAIN DIVERSION WEIR WEIR DETAILS	ORIGINAL SHEET SIZE A1
						RM SURVEY	COORDINATE SYS	DES CHD				DAVID WILLS	CONSULTANT PROJECT MANAGER			
ISSUE	DATE	GRID	REVISION	DRN	REC	APPD	ASCEN SURVEY	DES REF	DRN	Q.C. CHD	DAVID WILLS	APPROVED	20/02/2020	PROJECT	19261	MF



05/03/2020 DWA PROJECT NO. 19261-C007-03

A	05/03/20		ISSUED FOR INFORMATION	ZC	DW	DW	DESIGN SURVEY RM SURVEY	VERTICAL DATUM DW	DES CALC DW	NORTH POINT	<p>David Wills and Associates Consulting Engineers</p>	<p>Office: Unit 1 / 9 Shields Crescent BOORAGOON WA 6154 Mail: PO Box 3084 MYAREE LPO WA 6154 Phone (08) 9424 0900 Fax (08) 9330 3133 E-mail dwa@dwaconsulting.com.au ABN 34 900 498 130</p>	<p>RECOMMENDED 20/02/2020 DAVID WILLS CONSULTANT PROJECT MANAGER</p> <p>APPROVED 20/02/2020 DAVID WILLS CONSULTANT PROJECT DIRECTOR</p>	<p>WATER CORPORATION</p>	<p>PEEL MAIN DRAIN MONITORING PLATFORM DETAILS</p>	ORIGINAL SHEET SIZE A1	
ISSUE	DATE	GRID	REVISION	DRN	REC	APPD	ASCON SURVEY NONE	DES REF	DRN ZC Q.C. CHD DW						FILE C-07	PLAN	CAD